



US006805891B2

(12) **United States Patent**
Vijayen et al.

(10) **Patent No.:** **US 6,805,891 B2**
(45) **Date of Patent:** **Oct. 19, 2004**

(54) **RECORDING MEDIA HAVING PROTECTIVE OVERCOATS OF HIGHLY TETRAHEDRAL AMORPHOUS CARBON AND METHODS FOR THEIR PRODUCTION**

(75) Inventors: **Veerasamy Vijayen**, San Jose, CA (US); **Manfred Weiler**, Elbersdorf (DE); **Eric Li**, Palo Alto, CA (US)

(73) Assignee: **United Mobile Corporation**, Los Altos, CA (US)

(*) Notice: Subject to any disclaimer, the term of this patent is extended or adjusted under 35 U.S.C. 154(b) by 0 days.

(21) Appl. No.: **10/350,498**

(22) Filed: **Jan. 23, 2003**

(65) **Prior Publication Data**

US 2003/0148103 A1 Aug. 7, 2003

Related U.S. Application Data

(62) Division of application No. 09/165,513, filed on Oct. 2, 1998, now Pat. No. 6,537,668, which is a division of application No. 08/761,336, filed on Dec. 10, 1996, now Pat. No. 5,858,477

(60) Provisional application No. 60/018,746, filed on May 31, 1996, and provisional application No. 60/018,793, filed on May 31, 1996.

(51) **Int. Cl.**⁷ **G11B 5/72**

(52) **U.S. Cl.** **426/336; 428/408; 428/694 TC**

(58) **Field of Search** **428/408, 694 TC, 428/336**

(56) **References Cited**

U.S. PATENT DOCUMENTS

4,123,316 A	10/1978	Tsuchimoto
4,226,666 A	10/1980	Winters et al.
4,749,608 A	6/1988	Nakayama et al.
4,822,466 A	4/1989	Rabalais et al.
5,017,835 A	5/1991	Oechsner

(List continued on next page.)

FOREIGN PATENT DOCUMENTS

EP	0 522 491 A1	7/1993
EP	0 595 564 A2	5/1994
EP	0 700 033 A2	3/1996
JP	02168540	6/1990
JP	5-143971	6/1993
JP	6-139560	5/1994
JP	06349054	12/1994

OTHER PUBLICATIONS

Aisenberg, S. et al., "Ion-Beam Deposition of Thin Films of Diamondlike Carbon," *J. Appl. Phys.*, vol. 42, No. 7, Jun. 1971, pp. 2953-2958.

(List continued on next page.)

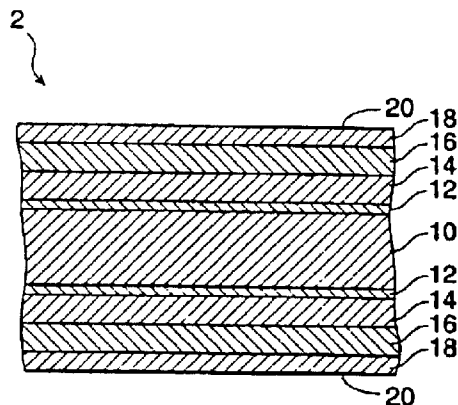
Primary Examiner—Stevan A. Resan

(74) *Attorney, Agent, or Firm*—Townsend and Townsend and Crew LLP

(57) **ABSTRACT**

The invention provides systems and methods for the deposition of an improved diamond-like carbon material, particularly for the production of magnetic recording media. The diamond-like carbon material of the present invention is highly tetrahedral, that is, it features a large number of the sp³ carbon-carbon bonds which are found within a diamond crystal lattice. The material is also amorphous, providing a combination of short-range order with long-range disorder, and can be deposited as films which are ultras-smooth and continuous at thicknesses substantially lower than known amorphous carbon coating materials. The carbon protective coatings of the present invention will often be hydrogenated. In a preferred method for depositing of these materials, capacitive coupling forms a highly uniform, selectively energized stream of ions from a dense, inductively ionized plasma. Such inductive ionization is enhanced by a relatively slow moving (or "quasi-static") magnetic field, which promotes resonant ionization and ion beam homogenization.

14 Claims, 12 Drawing Sheets



U.S. PATENT DOCUMENTS

5,064,809 A	11/1991	Hed
5,082,359 A	1/1992	Kirkpatrick
5,082,522 A	1/1992	Purdes et al.
5,091,049 A	2/1992	Campbell et al.
5,126,206 A	6/1992	Garg et al.
5,156,703 A	10/1992	Oechsner
5,182,132 A	1/1993	Murai et al.
5,186,973 A	2/1993	Garg et al.
5,246,884 A	9/1993	Jaso et al.
5,364,690 A	11/1994	Takahashi et al.
5,374,318 A	12/1994	Rabalais et al.
5,411,797 A	5/1995	Davanloo et al.
5,423,915 A	6/1995	Murata et al.
5,462,784 A	10/1995	Grill et al.
5,466,431 A	11/1995	Dorfman et al.
5,470,661 A	11/1995	Bailey et al.
5,559,367 A	9/1996	Cohen et al.
5,569,501 A	10/1996	Bailey et al.
5,607,783 A	3/1997	Onodeza
5,616,179 A	4/1997	Baldwin et al.
5,637,393 A	6/1997	Ueda et al.
5,705,272 A	1/1998	Taniguchi
5,852,303 A	12/1998	Cuomo et al.
5,945,191 A	8/1999	Hwang et al.
6,064,148 A	5/2000	Tolt et al.
6,194,047 B1	2/2001	Hayashi

OTHER PUBLICATIONS

Boxman, R.L. et al., "Recent Progress in Filtered Vacuum Arc Deposition," *Paper submitted, Int. Conf. Metallurgical Coatings and Thin Films, San Diego, Apr. 1996*.

Chowalla, M. et al. "Deposition of Smooth Tetrahedral Amorphous Carbon Thin Films Using a Cathodic Arc Without a Macroparticle Filter," *Appl. Phys. Lett.*, vol. 67, No. 7, pp. 894-896, 1995.

Chhowalla, M. et al. "Stationary Carbon Cathodic Arc: Plasma and Film Characterization," *J. Appl. Phys.*, vol. 79, No. 5, pp. 2237-2244, 1996.

Fuchs, Armin, Thesis (1987).

Grill, A., et al., "Diamondlike Carbon Films by rf Plasma-Assisted Chemical Vapor Deposition from Acetylene," *IBM J. Res. Develop.*, vol. 34, No. 6, Nov. 1990, pp. 849-857.

Grill, A., et al., "Diamondlike Carbon Deposited by DC PACVD," *Diamond Films and Techn.*, vol. 1, No. 4, (1992), pp. 219-233.

Kuhn, M., et al., "Deposition of Carbon Films By A Filtered Cathodic Arc," *Diamond and Related Materials*, vol. 2, No. 10, Aug. 1993, pp. 1350-1354.

Martin, Dieter, Dissertation (1995).

Oechsner, H. "Electron Cyclotron Wave Resonances and Power Absorption Effects in Electrodeless Low Pressure H.F. Plasmas with a Superimposed Static Magnetic Field," *Plasma Physics*, vol. 16, pp. 835-844, 1974.

Oechsner, H., et al. "An RF Plasma Beam Source for Thin Film and Surface Technology," *Proc. 1st Int. Conf. on Plasma Surface Engineering, Garmisch Partenkirchen*, 1988, vol. II, DGM Informationen Gesellschaft, Obvuroel, pp. 1017-1024, 1989.

Park, K.D. et al., "Enhancement of Field-Emission Characteristics by Using Hydrogen-Free Diamond-Like Carbon Film Deposited by Plasma-Enhanced Chemical Vapor Deposition" (1996) *SID 96 Digest* pp. 49-52.

Pfeiffer, B., "Skin Effect in Anisotropic Plasmas and Resonance Excitation of Electron-Cyclotron Waves. I. Theory," *Journal of Applied Physics*, vol. 37, No. 4, pp. 1624-1627, 1966.

Sager, O., "The influence of Nonuniform Density Distribution and Electron Temperature on the Helicon-Resonances in Low Pressure Discharges," 1971.

Schör, Franz, Thesis (1968).

Szuszczewicz, Edward P., "Spatial Distributions of Plasma Density in a High-Frequency Discharge with a Superimposed Static Magnetic Field," *The Physics of Fluids*, vol. 15, No. 12, pp. 2240-2246, 1972.

Veerasamy, V.S. et al. "Electronic Density of States in Highly Tetrahedral Amorphous Carbon," *Solid-State Electronics*, vol. 37, No. 2, pp. 319-326, 1994.

Veerasamy, V.S., Dissertation (1994).

Weiler, M. et al. "Preparation and Properties of Highly Tetrahedral Hydrogenated Amorphous Carbon," *Physical Review B*, vol. 53, No. 3, pp. 245-253, 1994.

Weiler, M. et al., "Highly Tetrahedral, Diamond-like Amorphous Hydrogenated Carbon Prepared from a Plasma Beam Source," *Appl. Phys. Lett.*, vol. 64, No. 23, pp. 2797-2799.

Weiler, Manfred, Thesis (1989).

Weiler, Manfred, Dissertation (1994).

PR Newswire. *CeBIT Showcase for Major Advance in Magnetic Disk Storage Capacity*. Feb. 2000 Hanover, Germany. website: <http://www.prnewswire.com> (Feb. 19, 2000).

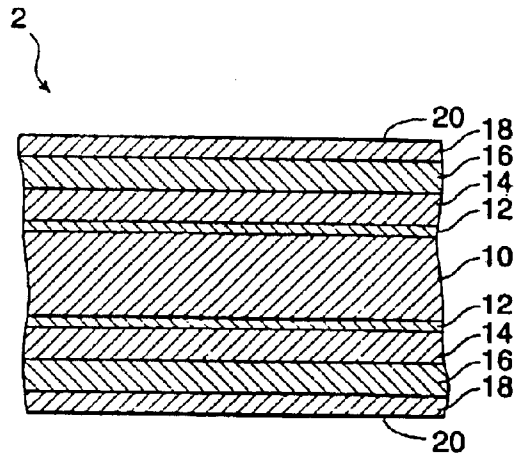


FIG. 1

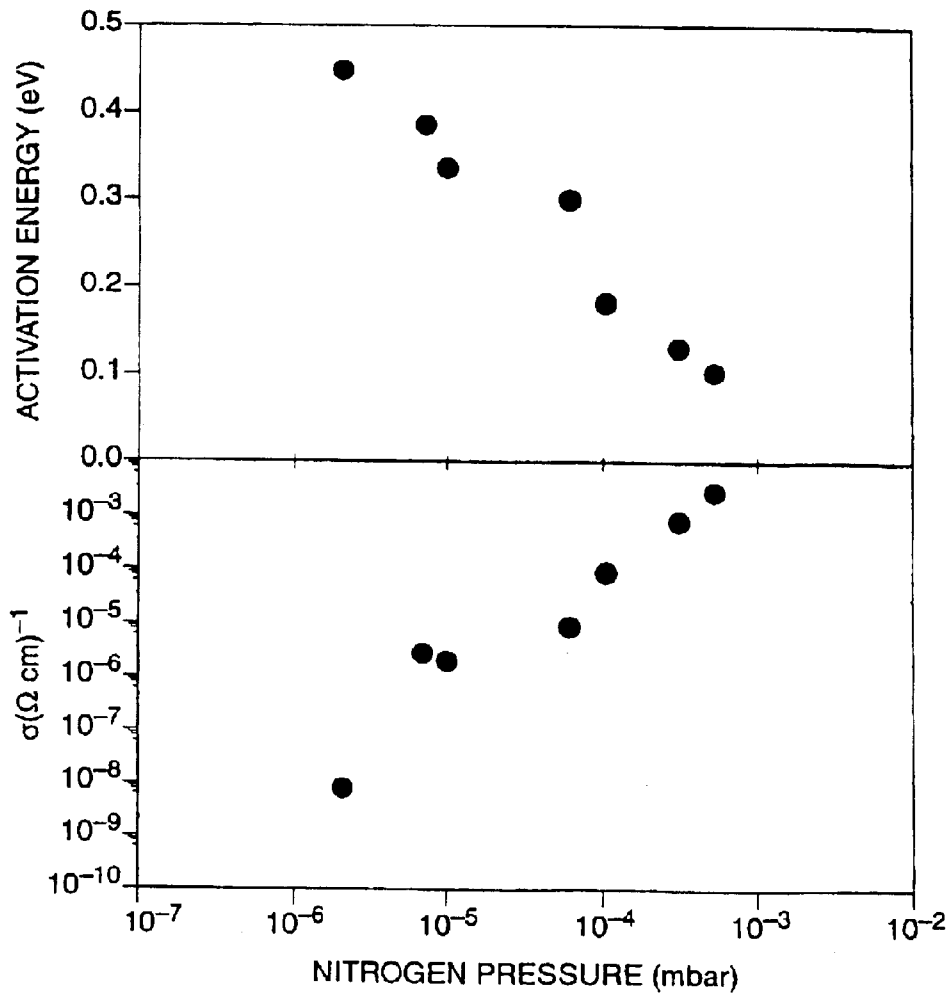


FIG. 1A

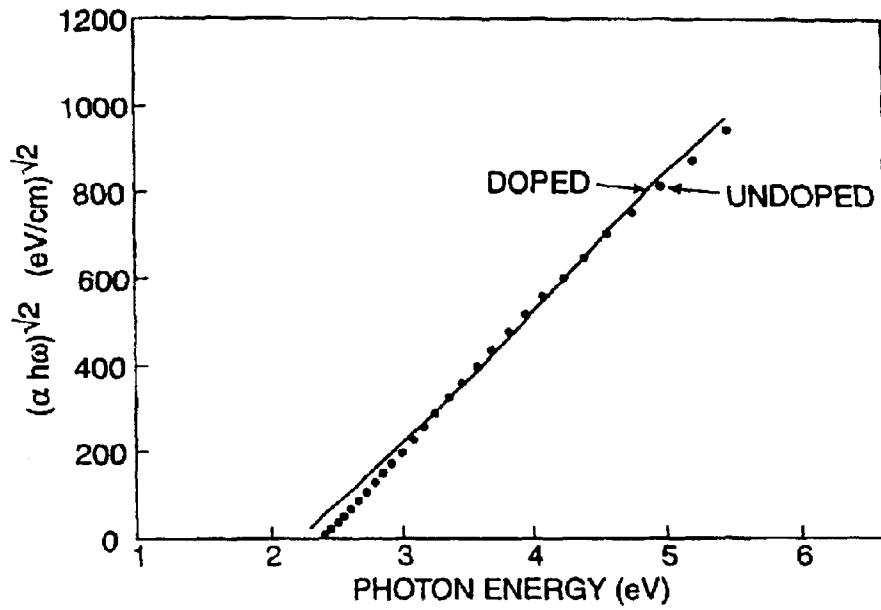


FIG. 1B

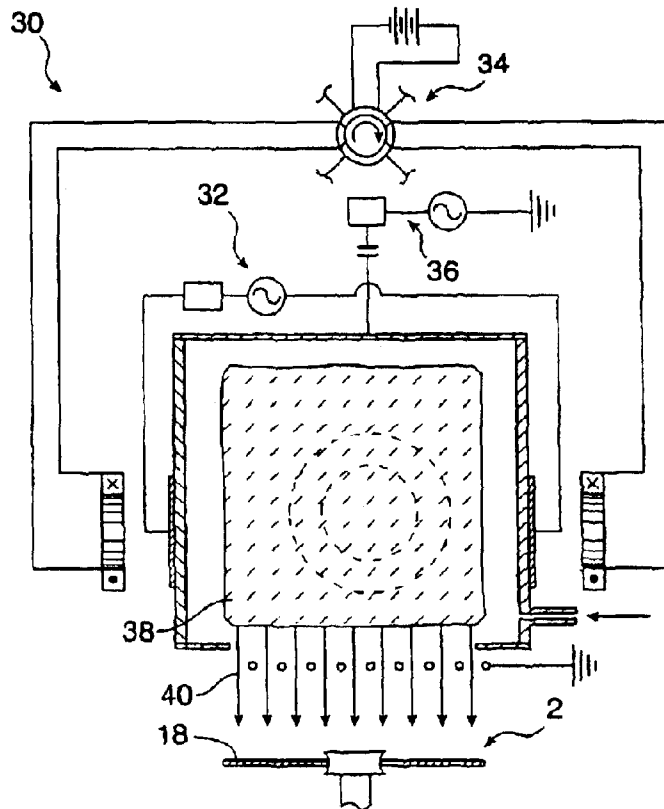


FIG. 2

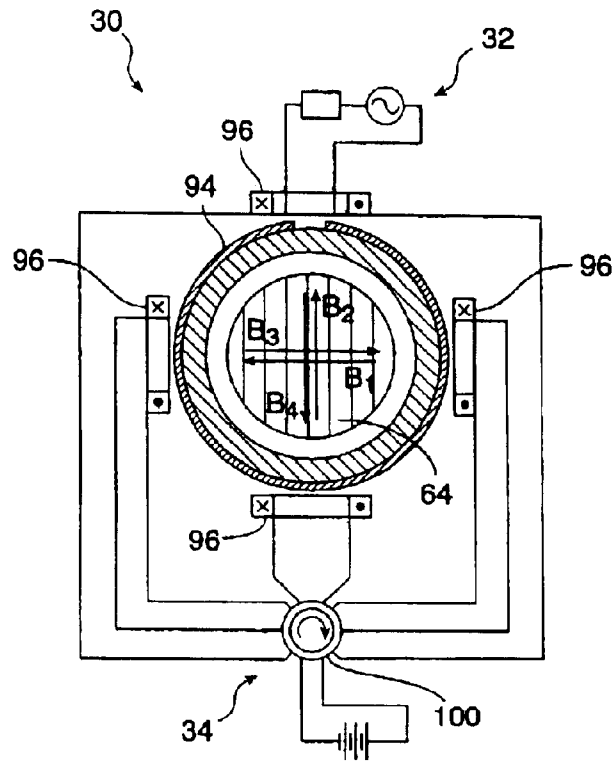


FIG. 2A

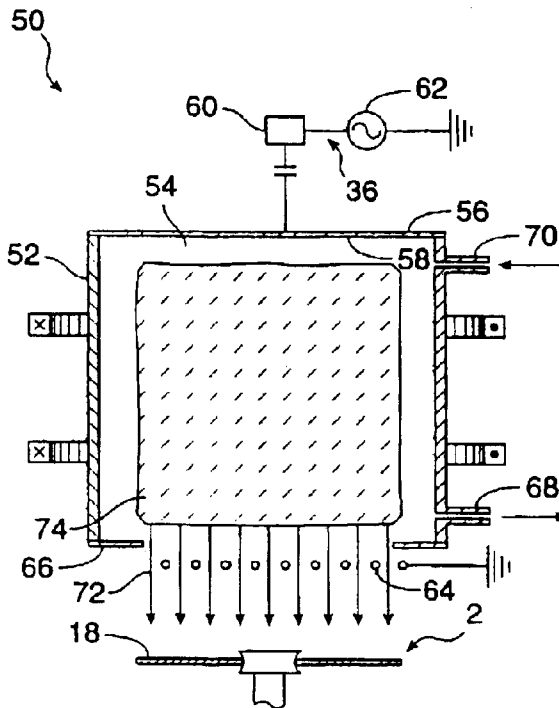


FIG. 3A

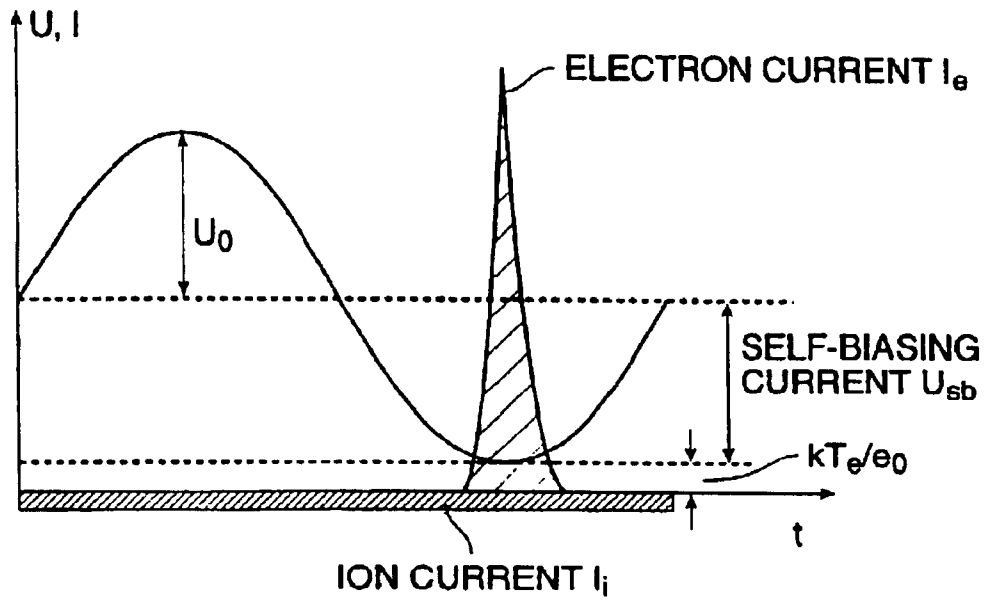


FIG. 3B

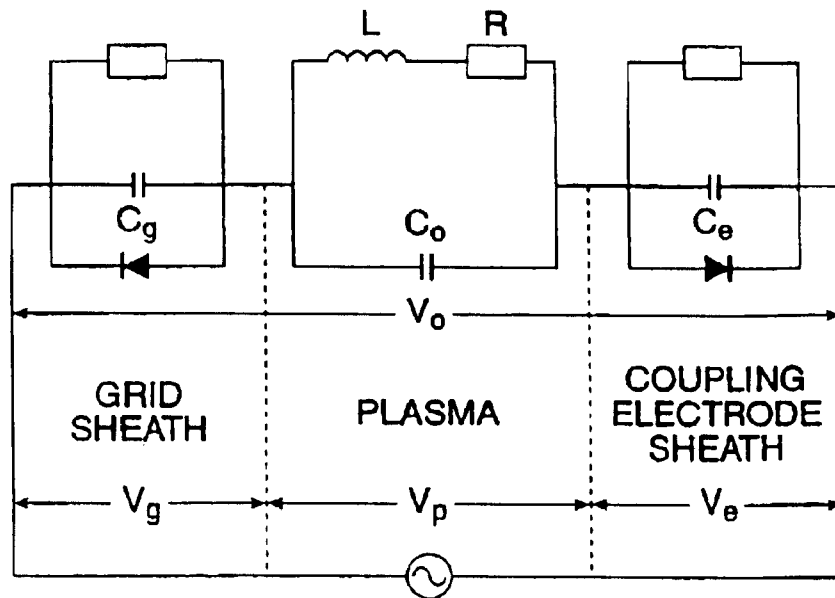


FIG. 3C

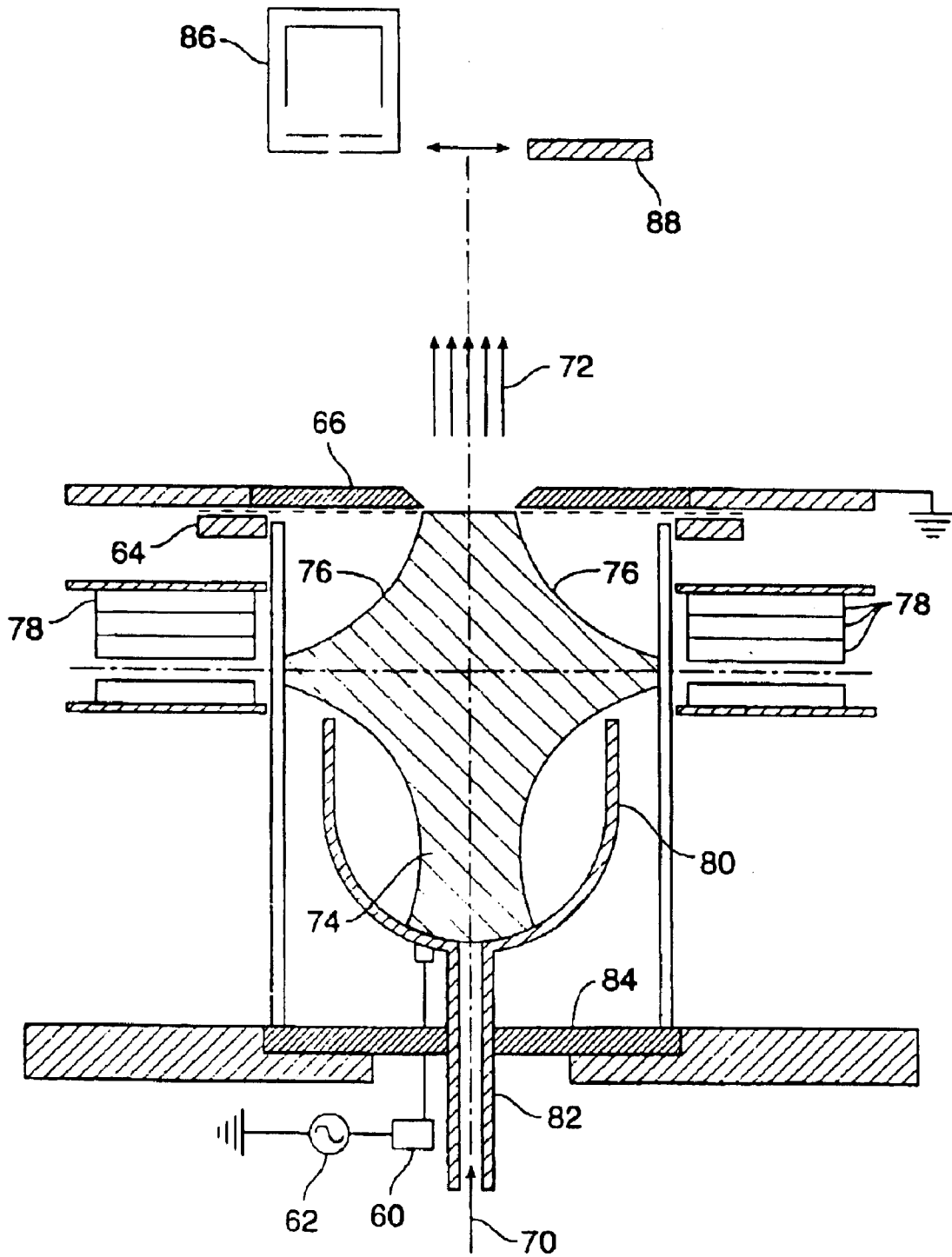


FIG. 3D

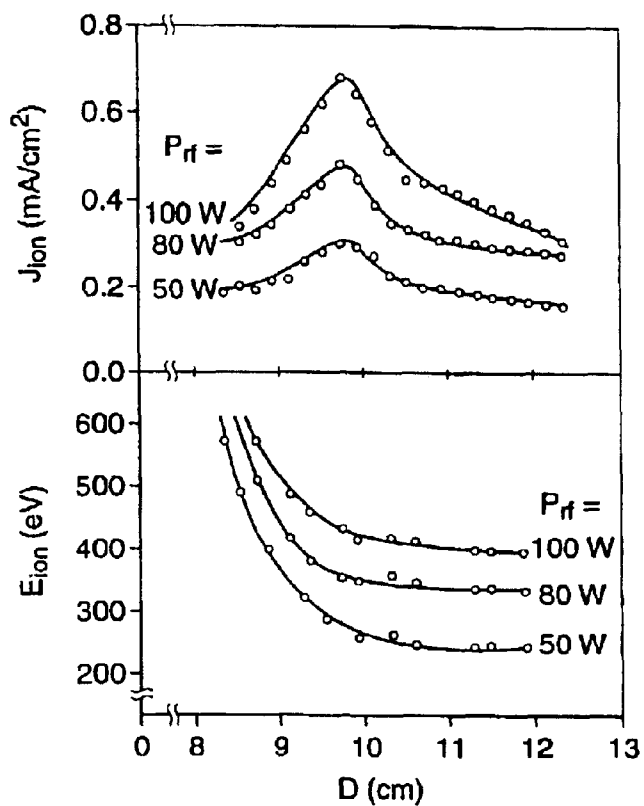


FIG. 3E

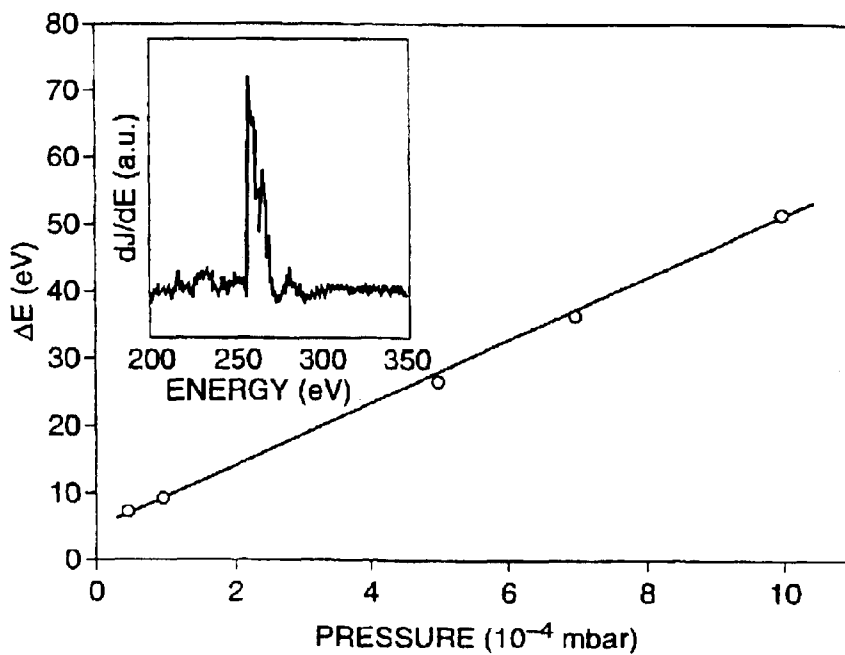


FIG. 3F

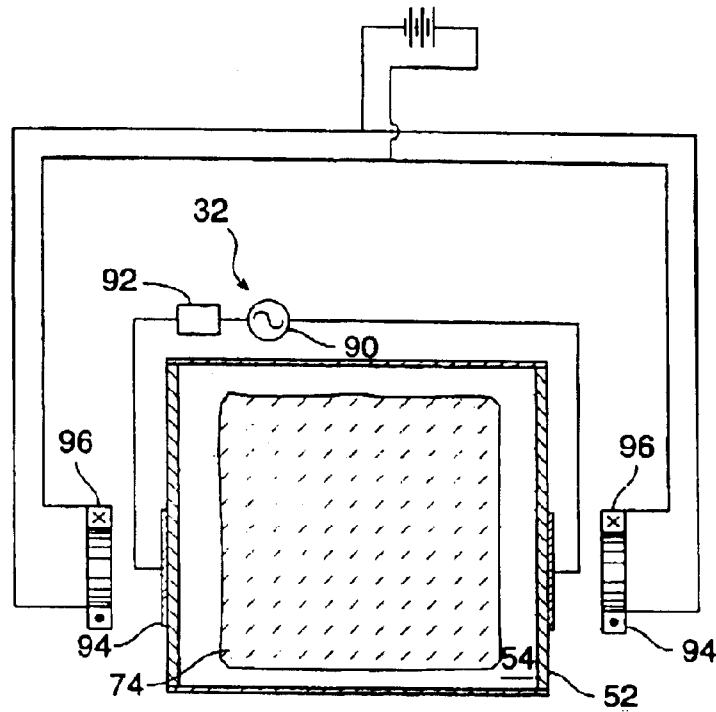


FIG. 4A
PRIOR ART

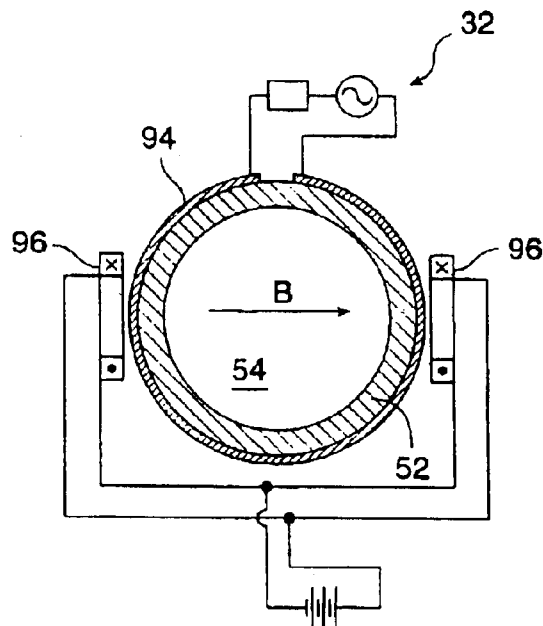


FIG. 4B
PRIOR ART

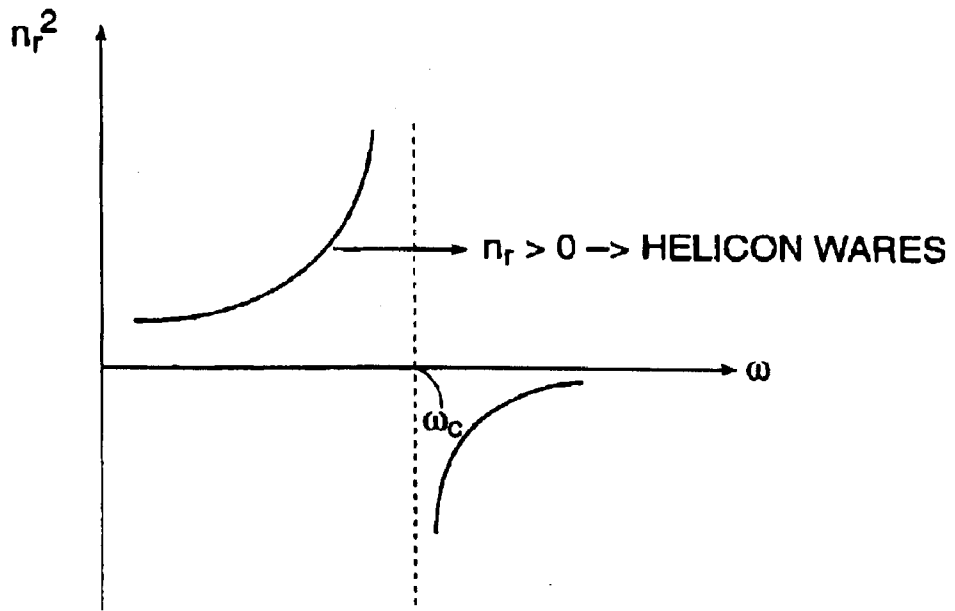


FIG. 4C

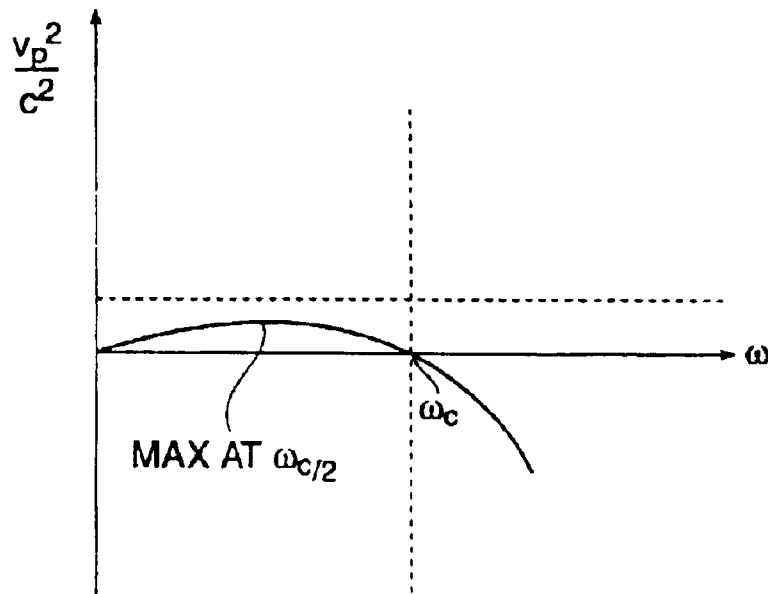


FIG. 4D

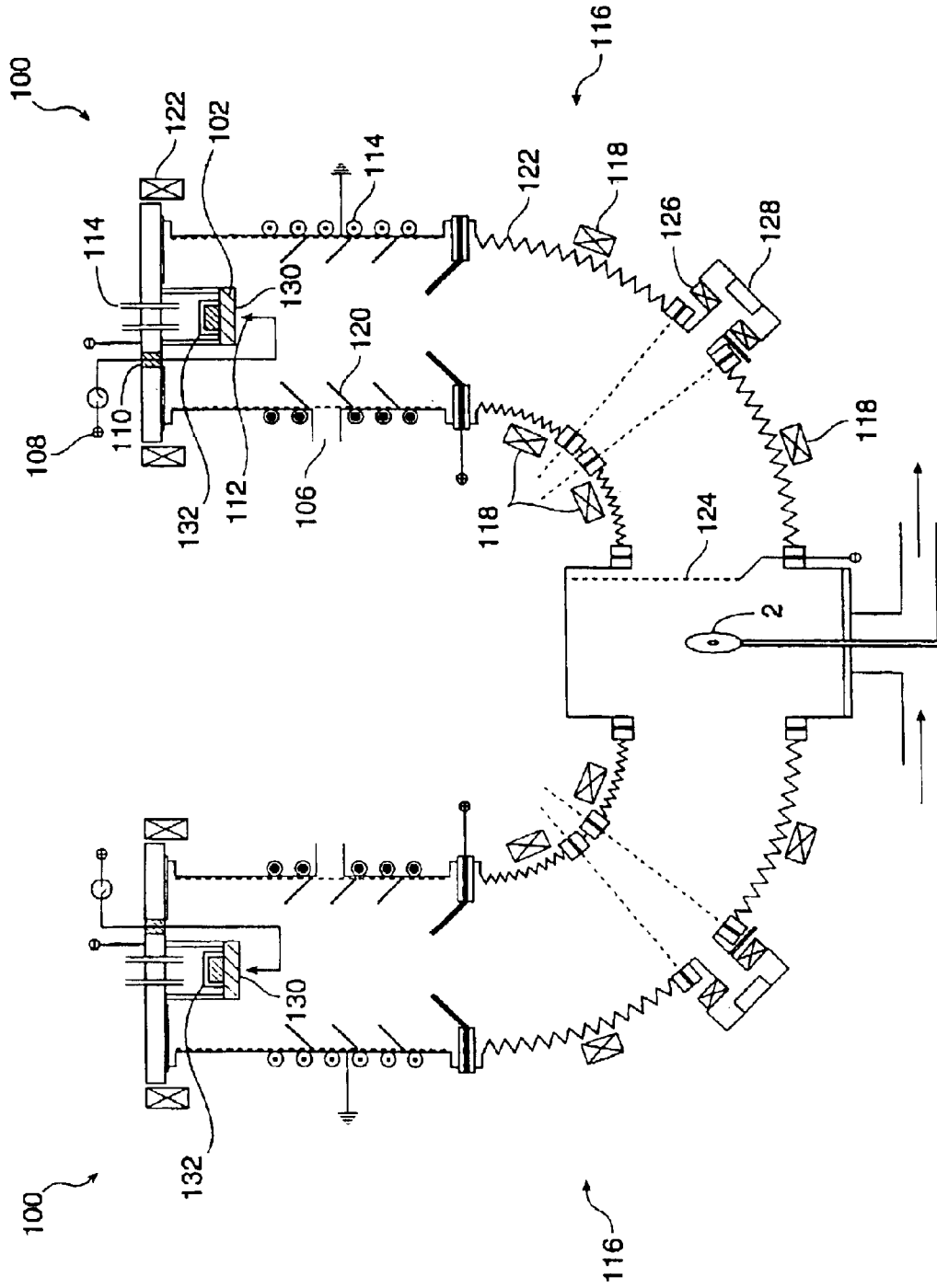


FIG. 5

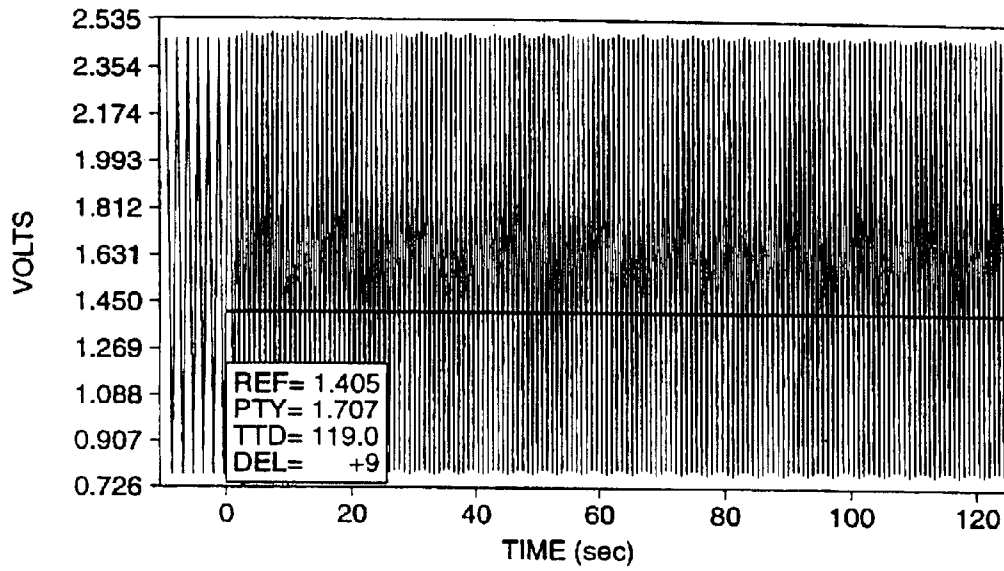


FIG. 6A

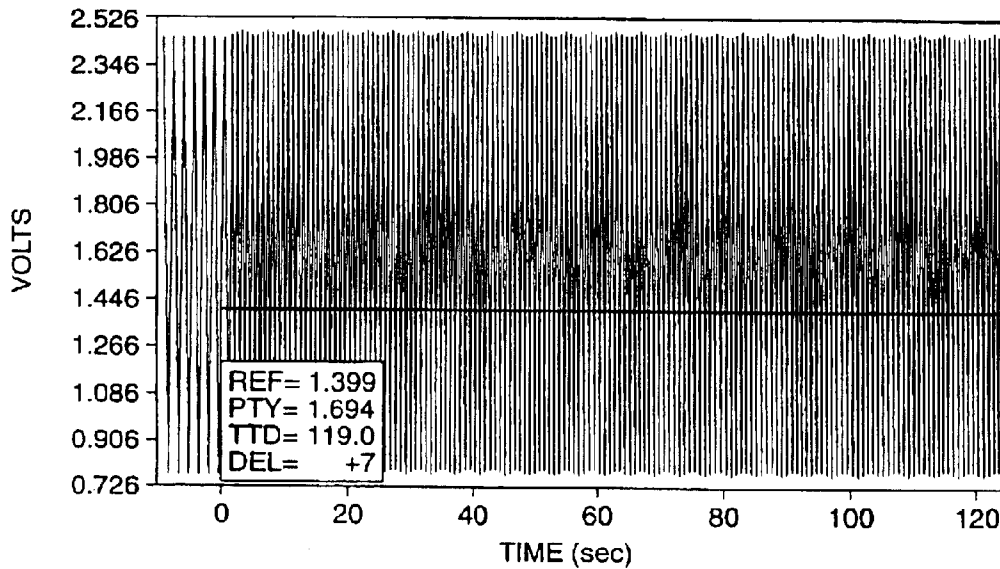


FIG. 6B

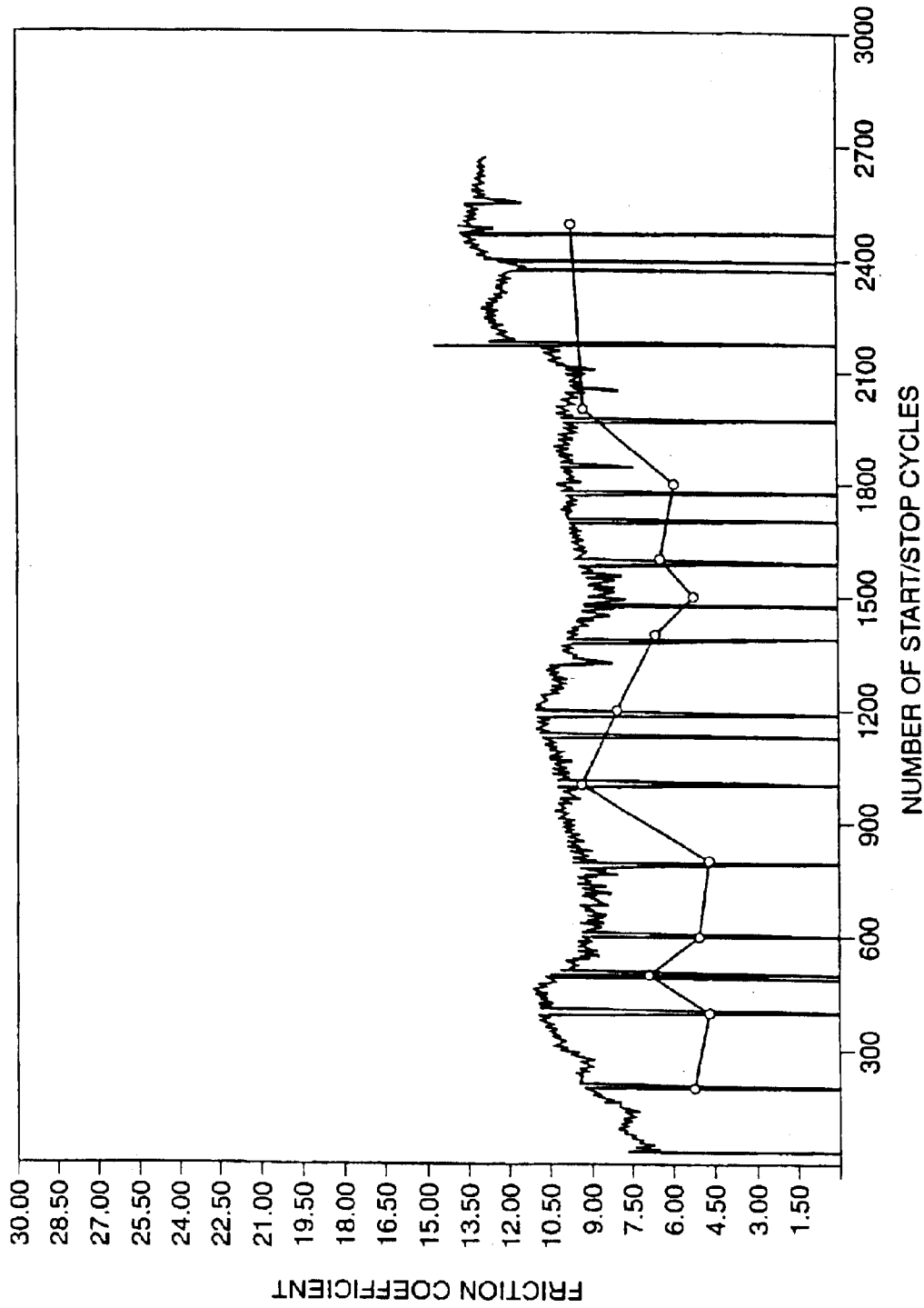


FIG. 7

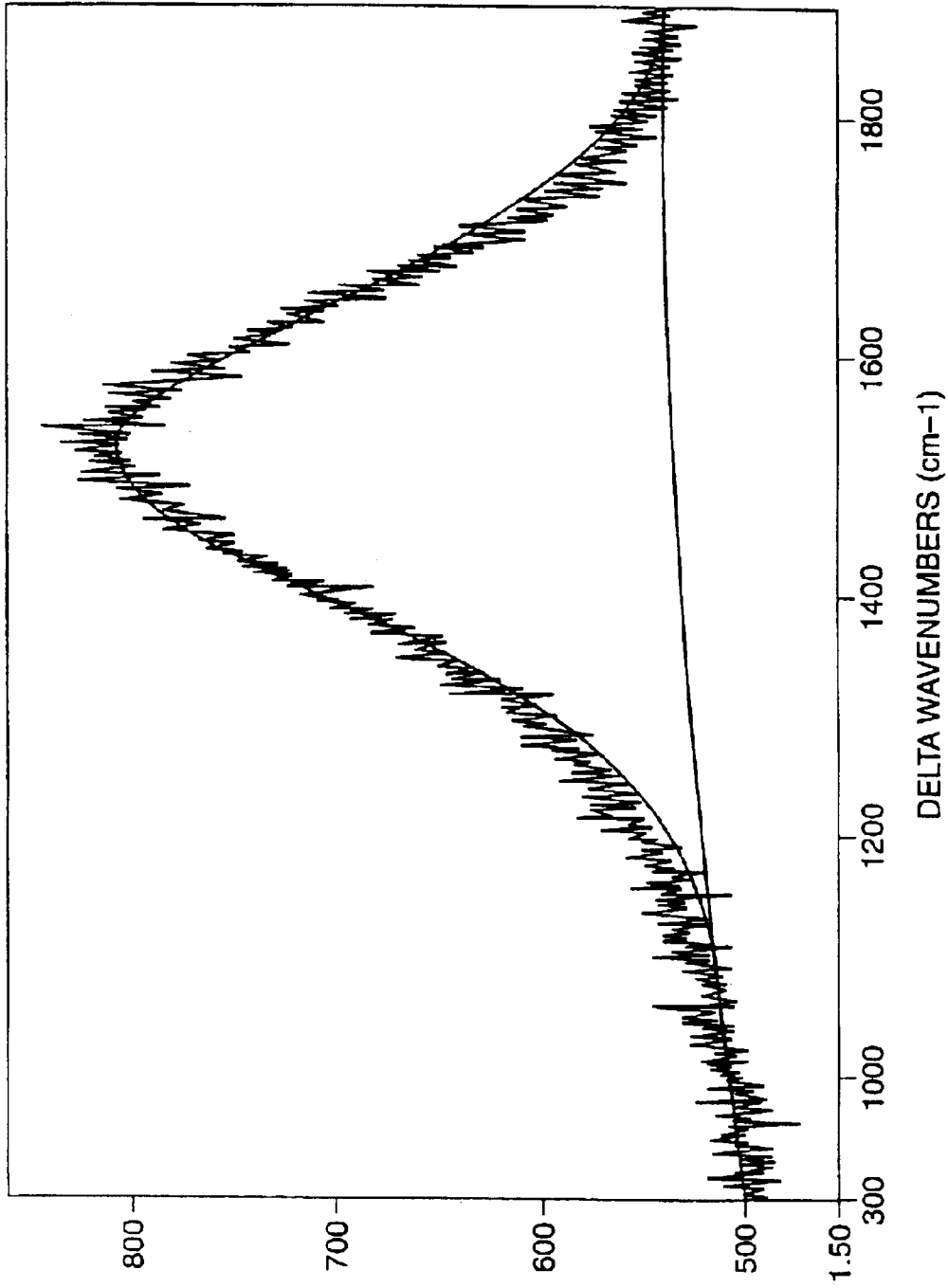


FIG. 8

**RECORDING MEDIA HAVING PROTECTIVE
OVERCOATS OF HIGHLY TETRAHEDRAL
AMORPHOUS CARBON AND METHODS
FOR THEIR PRODUCTION**

CROSS-REFERENCE TO RELATED
APPLICATIONS

This application is a divisional of and claims the benefit of priority from U.S. patent application Ser. No. 09/165,513, filed Oct. 2, 1998, which is a divisional of U.S. patent application Ser. No. 08/761,336, now U.S. Pat. No. 5,858,477, filed Dec. 10, 1996, which is a continuation-in-part of and claims priority from U.S. Provisional Patent Applications Serial No. 60/018,793, filed May 31, 1996, and Serial No. 60/018,746, filed May 31, 1996, the full disclosures of which are incorporated herein by reference.

BACKGROUND OF THE INVENTION

1. Field of the Invention

The present invention relates generally to thin films and methods for their deposition, and more particularly, provides diamond-like films, plasma beam deposition systems, and methods useful for production of diamond-like protective overcoats on magnetic recording media and other industrial applications.

In recent years, there has been considerable interest in the deposition of a group of materials referred to as diamond-like carbon. Diamond-like carbon can generally be defined as a metastable, high density form of amorphous carbon. Diamond-like carbon is valued for its high mechanical hardness, low friction, optical transparency, and chemical inertness.

Deposition of diamond-like carbon films often involves chemical vapor deposition techniques, the deposition processes often being plasma enhanced. Known diamond-like films often include carbon with hydrogen, fluorine, or some other agent. The durability and advantageous electrical properties of diamond-like carbon films have led to numerous proposals to apply these films to semiconductors, optics, and a wide variety of other industrial uses. Unfortunately, the cost and complexity of providing these advantageous diamond-like carbon films using known chemical vapor deposition processes has somewhat limited their use. Furthermore, while a wide variety of diamond-like carbon coating films have been deposited in laboratories, many of these films have been found to have less than ideal material characteristics.

A very different form of amorphous carbon is generally applied as a protective overcoat for magnetic recording media. Magnetic recording disks generally comprise a substrate having a magnetic layer and a number of underlayers and overlayers deposited thereon. The nature and composition of each layer is selected to provide the desired magnetic recording characteristics, as is generally recognized in the industry.

The information stored in magnetic recording media generally comprises variations in the magnetic field of a thin film of ferromagnetic material, such as a magnetic oxide or magnetic alloy. Usually, a protective layer is formed over the top of the magnetic layer, and a layer of lubricating material is deposited over the protective layer. These protective and lubricating layers combine to increase the reliability and durability of the magnetic recording media by limiting friction and erosion of the magnetic recording layer. Sputtered amorphous carbon films have gained widespread usage as protective overcoats for rigid magnetic recording disks.

Sputtered amorphous carbon overcoats have been shown to provide a high degree of wear protection with a relatively thin protective layer. Magnetic recording disk structures including sputtered amorphous carbon have been very successful and allow for quite high recording densities. As with all successes, however, it is presently desired to provide magnetic recording disks having even higher recording densities.

Recording densities can generally be improved by reducing the spacing between the recording transducer, called the read/write head, and the magnetic layer of the magnetic recording disk (or more specifically, between the read/write head and the middle of the magnetic layer). In modern magnetic recording systems, the read/write head often glides over the recording surface on an air bearing, a layer of air which moves with the rotating disk. To minimize frictional contact between the rotating disk and the read/write head, the disks surface is generally rougher (and the glide height therefore higher) than would otherwise be ideal for high density magnetic recording. Even if this glide height is reduced (or eliminated), the read/write head will be separated from the recording layer by the protective amorphous carbon overcoat. This protective layer alone may, to provide the desired media life, limit the areal density of the media. Generally, overcoat layer thicknesses are dictated by durability and continuity limitations. Sputtered carbon frequently becomes discontinuous at thicknesses below about 50 Å. Thus, the durability requirements of rigid magnetic recording media generally dictate that the distance between the read/write head and the magnetic recording layer be maintained, even though this limits the areal density of the magnetic recording media.

It has previously been proposed to utilize known chemical vapor deposition techniques to deposit a variety of diamond-like carbon materials for use as protective coatings for flexible magnetic recording tapes and magnetic recording heads. Unfortunately, known methods for chemical vapor deposition of diamond-like materials, including plasma enhanced methods, generally subject the substrate to temperatures of over 500° C., which is deleterious for most magnetic disk substrates. Therefore, these known diamond-like carbon films do provide relatively good hardness and frictional properties, they have found little practical application within the field of rigid magnetic recording media, in which sputtered amorphous carbon protective overcoats are overwhelmingly dominant.

For these reasons, it would be beneficial to provide improved magnetic protective overcoats with improved read/write head frictional and glide characteristics (generally called stiction) for recording media. Preferably, such an improved overcoat will provide durability and reliability without having to resort to the density-limiting glide heights and/or protective overcoat thickness of known rigid magnetic recording media, and without subjecting the media substrates to excessive temperatures.

It would also be desirable to provide improved diamond-like carbon materials and methods for their deposition. It would be particularly desirable if such materials and methods could be utilized for practical rigid magnetic recording media with reduced spacing between the read/write head and the magnetic recording layer, ideally by providing a flatter, smoother, and thinner protective coating which maintained or even enhanced the durability of the total recording media structure. It would also be advantageous to provide alternative methods and systems for depositing such protective layers, for use in the production of magnetic recording media, as well as integrated circuits, optics, machine tools, and a wide variety of additional industrial applications.

2. Description of the Background Art

U.S. Pat. No. 5,182,132 describes magnetic recording media having a diamond-like carbon film deposited with alternating circuit plasma enhanced chemical vapor deposition methods. U.S. Pat. No. 5,462,784 describes a fluorinated diamond-like carbon protective coating for magnetic recording media devices. European Patent Application 700,033 describes a side-mounted thin film magnetic head having a protective layer of diamond-like carbon. European Patent Application No. 595,564 describes a magnetic recording media having a diamond-like protective film which consists of carbon and hydrogen.

U.S. Pat. No. 5,156,703 describes a method for the surface treatment of semiconductors by particle bombardment, the method making use of a capacitively coupled extraction grid to produce an electrically neutral stream of plasma. V. S. Veerasamy et al. described the properties of tetrahedral amorphous carbon deposited with a filtered cathodic vacuum arc in *Solid-State Electronics*, vol. 37, pp. 319–326 (1994). The recent progress in filtered vacuum arc deposition was reviewed by R. L. Boxman in a paper presented at the International Conference of Metallurgical Coatings and Thin Films located at San Diego in April of 1996. Electron cyclotron wave resonances in low pressure plasmas with a superimposed static magnetic field were described by Professor Oechsner in *Plasma Physics*, vol. 15, pp. 835–844 (1974).

SUMMARY OF THE INVENTION

The present invention provides systems and methods for the deposition of an improved diamond-like carbon material, particularly for the production of magnetic recording media. The diamond-like carbon material of the present invention is highly tetrahedral, that is, it features a large number of the sp^3 carbon—carbon bonds which are found within a diamond crystal lattice. The material is also amorphous, providing a combination of short-range order with long-range disorder, and can be deposited as films which are ultrasmooth and continuous (pin-hole free) at thicknesses substantially lower than known amorphous carbon coating materials. The carbon protective coatings of the present invention will often be hydrogenated, generally providing a significantly higher percentage of carbon—carbon sp^3 bonds than known hydrogenated amorphous diamond-like carbon coatings having similar compositions, and may optionally be nitrogenated. In a preferred method for depositing of these materials, capacitive coupling forms a highly uniform, selectively energized stream of ions from a dense, inductively ionized plasma. Such inductive ionization is enhanced by a relatively slow moving (or “quasi-static”) magnetic field, which promotes resonant ionization and ion beam homogenization. Clearly, the materials, systems, and methods of the present invention will find applications not only in the field of magnetic recording media and related devices, but also in integrated circuit fabrication, optics, machine tool coatings, and a wide variety of film deposition and etching applications.

In a first aspect, the present invention provides a method for producing magnetic recording media, the method comprising forming a magnetic layer over a substrate, and ionizing a source material so as to form a plasma containing carbon ions. The carbon ions are energized to form a stream from the plasma toward the substrate, so that carbon from the ions is deposited on the substrate. The ions impact with an energy which promotes formation of sp^3 carbon—carbon bonds. Advantageously, such a method can form a highly

tetrahedral amorphous carbon protective layer, generally having more than about 15% sp^3 carbon—carbon bonds. Generally, the impact energy of the energetic carbon ions is within a pre-determined range to promote formation of the desired lattice structure, the bonds apparently being formed at least in part by subplantation. Preferably, each carbon ion impacts with an energy of between about 100 and 120 eV. In many embodiments, the resulting highly tetrahedral amorphous carbon protective layer includes more than about 35% sp^3 carbon—carbon bonds, with particularly preferred methods producing more than about 70% sp^3 carbon—carbon bonds.

Generally, the stream will be primarily composed of ions having a uniform weight, and the impact energy will preferably be substantially uniform. In some embodiments, this uniformity is promoted through filtering of the ion stream. In such cases, the energizing step generally comprises striking a plasma using a solid cathodic arc of carbon source material. Alternatively, the stream will be energized by applying an alternating potential between a coupling electrode and an extraction grid so as to self-bias the plasma relative to the extraction grid through capacitive coupling, thereby extracting the ion stream through the grid. Hydrogen and/or nitrogen may also be included, both in the ion stream and the protective layer.

In another aspect, the present invention provides magnetic recording media comprising a substrate, a magnetic layer disposed over the substrate, and a protective layer disposed over the magnetic layer. The protective layer comprises a highly tetrahedral amorphous carbon, generally having more than about 15% sp^3 carbon—carbon bonds. Preferably, these bonds are formed at least in part by directing an energetic stream of carbon ions onto the substrate. In many embodiments, the protective layer includes more than about 35% sp^3 carbon—carbon bonds, with particularly preferred embodiments including more than about 70% sp^3 carbon—carbon bonds. Such protective layers are ultrasmooth and continuous at thicknesses of less than about 75 Å, and will provide durable recording media even at thicknesses of less than about 50 Å. Furthermore, the hardness and tribological performance of these dense protective materials may allow highly durable recording media with areal recording densities of over 1 gigabyte per square inch with reduced read/write head glide heights of lower than about 1 μ ”, optionally within a near-contact or continuous contact recording systems.

In another aspect, the present invention provides a method for enhancing an ion beam, the ion beam produced by confining a plasma within a plasma volume, inductively ionizing the plasma, and forming a stream of ions from within the plasma volume by capacitive coupling. The method comprises moving a magnetic field through the plasma to promote resonant inductive ionization, preferably by sequentially energizing each of a plurality of coils disposed radially about the plasma volume.

In another aspect, the present invention provides an inductive ionization system for use with an ion-beam source. The source includes an antenna disposed about a plasma volume for inductively ionizing a plasma therein. A coupling electrode is exposed to the plasma volume and an extraction electrode is disposed over an opening of the plasma volume, so that the extraction electrode is capable of expelling ions of the plasma through the grid by capacitive coupling. The system comprises at least one coil disposed adjacent the plasma volume capable of applying a transverse magnetic field to the plasma volume so as to promote resonant inductive ionization by the antenna. The magnetic field can

be moved through the plasma container to homogenize the expelled ion stream. This movement of the magnetic field, which is optionally provided by selectively energizing coils radially disposed about the plasma volume, may also further density the plasma by promoting particle collisions through a churning or mixing effect.

In another aspect, the present invention provides a diamond-like material comprising carbon in the range between about 72 and 92 atomic percent, and hydrogen in the range between about 8 and 18 atomic percent. The material is amorphous, and between about 15 and 85 percent of carbon—carbon bonds are sp^3 bonds. Generally, sp^3 bond formation will be promoted with subplantation using ion-beam deposition from a plasma beam source, so that the number of such bonds will be higher than known materials having similar compositions. Hence, the highly tetrahedral amorphous carbon and hydrogenated carbon of the present invention will have fewer polymer-like hydrogen chains, and will generally exhibit enhanced thermal and mechanical stability.

In another aspect, the present invention provides a method for deposition of highly tetrahedral amorphous carbon over a substrate, the method comprising ionizing a source material to form a plasma and confining the plasma within a plasma volume. The plasma is capacitively coupled to form a stream flowing outwardly from within the plasma volume. The stream includes carbon ions from the plasma and is directed onto the substrate. Advantageously, such a method allows deposition of carbon ions of uniform size with a uniform energy, and allows tailoring of the energetic carbon ions to specifically promote sp^3 bonding through subplantation. The source material typically comprises a gas having a substantially coherent dissociation energy spectra, the source gas ideally comprising acetylene. Preferably, the ions strike the substrate with an impact energy of between about 57 and 130 eV for each carbon atom, ideally being between about 80 and 120 eV each.

In another aspect, the present invention provides an ion-beam source comprising a container defining a plasma confinement volume. The container has an opening, and an antenna is disposed about the plasma volume so that application of a first alternating potential to the antenna is capable of inductively ionizing a plasma therein. A coupling electrode is electrically coupled to the plasma volume and an extraction electrode is disposed over the opening of the container. The extraction electrode has a surface area which is substantially less than the coupling electrode surface, so that application of a second alternating potential between the coupling electrode and the extraction electrode is capable of expelling ions of the plasma through the grid. Preferably, at least one coil is disposed adjacent the container, and is capable of applying a transverse magnetic field to the plasma volume, thereby promoting highly efficient inductive ionization resonance by the antenna. Ideally, the magnetic field can be moved through the plasma container to homogenize the expelled ion stream. This movement of the magnetic field, which is optionally provided by selectively energizing coils radially disposed about the plasma confinement volume, may further density the plasma by promoting particle collisions with a churning or mixing effect.

In yet another aspect, the present invention provides an ion-beam source comprising plasma containment means for confining a plasma within a plasma volume. Inductive ionization means inductively couples a first alternating current with the plasma so as to ionize the plasma within the plasma volume. A moving magnetic field generation means provides resonant densification and homogenization of the

ionized plasma within the plasma volume. Ion extraction means forms a stream of ions out from the plasma volume.

In another aspect, the present invention provides a method for producing an ion beam, the method comprising confining a plasma within a plasma volume, inductively ionizing the plasma, and forming a stream of ions from within the plasma volume by capacitively coupling the plasma with an extraction grid. This capacitive coupling self-biases the plasma relative to the grid, and can be used to produce a quasi-neutral plasma stream. Generally, a transverse magnetic field is applied to density the plasma by promoting resonant inductive ionization. Ideally, the magnetic field is moved through the plasma volume to homogenize the plasma and plasma stream.

BRIEF DESCRIPTION OF THE DRAWINGS

FIG. 1 is a cross-sectional view of a magnetic recording disk including the tetrahedral amorphous hydrogenated carbon protective layer of the present invention.

FIGS. 1A and B illustrate the effects of nitrogen doping on the tetrahedral amorphous hydrogenated carbon of the present invention.

FIG. 2 schematically illustrates a method for depositing the highly tetrahedral amorphous hydrogenated carbon over the disk of FIG. 1, and also shows a hybrid inductive/capacitive plasma beam source according to the principles of the present invention.

FIG. 2A is a cross-sectional view of the hybrid source of FIG. 2, showing the inductive ionization antenna and quasi-static magnetic field generating coils which density and homogenize the plasma.

FIG. 3A illustrates an alternative method and system for depositing highly tetrahedral amorphous hydrogenated carbon over the disk of FIG. 1 using an acetylene plasma from a plasma beam source.

FIGS. 3B and C illustrate capacitive coupling of the plasma to extract a stream of ions when using the plasma beam source of FIG. 3A.

FIG. 3D illustrates an alternative embodiment of a plasma beam source, in which the effective area of the coupling electrode can be varied to provide further control over the ion density and ion energy.

FIGS. 3E and F illustrate operating characteristics of plasma beam sources for deposition of diamond-like carbon.

FIGS. 4A and B illustrate known resonant inductive ionization of a plasma with a fixed magnetic field.

FIGS. 4C and D explain densification of the plasma provided by Electron Cyclotron Wave Resonance.

FIG. 5 illustrates an alternative method and deposition system for producing the recording disk of FIG. 1, which system relies upon a filtered cathodic arc for deposition of the highly tetrahedral amorphous hydrogenated carbon material of the present invention.

FIGS. 6A–8 show experimental data, as described in detail in the experimental section.

DESCRIPTION OF THE SPECIFIC EMBODIMENTS

Referring now to FIG. 1, a rigid magnetic recording disk 2 comprises a non-magnetic disk substrate 10, typically composed of an aluminum alloy, glass, ceramic, a glass-ceramic composite, carbon, carbon-ceramic composite, or the like. An amorphous nickel-phosphorus (Ni—P) layer 12 is formed over each surface of the disk substrate 10, typi-

cally by plating. The Ni—P layer is hard, and imparts rigidity to the aluminum alloy substrate. A chromium ground layer **14** is formed over Ni—P layer **12**, typically by sputtering, and a magnetic layer **16** is formed over the ground layer **14**. Please note that these layers are shown schematically only, as NiP layer **12** will typically be much thicker than the other layers.

The magnetic layer **16** comprises a thin film of a ferromagnetic material, such as a magnetic oxide or magnetic alloy. Magnetic layer **16** is typically sputtered over ground layer **14** in a conventional manner. The magnetic layer will often be composed of a cobalt alloy, such as a CoCrTaPtB, CoCrPtB, CoCrTa, CoPtCr, CoNiCr, CoCrTaXY (X and Y being selected from Pt, Ni, W, B, or other elements) or the like. The magnetic layer may be formed as a single layer, or may comprise two or more layers formed over one another. The thickness of magnetic layer **16** is typically in the range from about 200 Å to 800 Å.

Of particular importance to the present invention is a protective layer **18** which is formed over the magnetic layer. The protective layer **18** of the present invention will generally comprise a highly tetrahedral amorphous carbon, typically having more than about 15% sp³ carbon—carbon bonds, preferably being more than about 35% sp³ carbon—carbon bonds, and ideally being over about 70% sp³ carbon—carbon bonds, as measured using Raman fingerprinting and electron energy loss spectroscopy. Along with carbon, protective layer **18** may also include hydrogen, generally forming in the range between about 2 and 30 atomic percent of the protective material, preferably being between 8 and 18 atomic percent. A conventional lubricating layer **20** is disposed over the protective layer.

Although hydrogen is known to increase the percentage of sp³ bonding of diamond-like carbon produced by known chemical vapor deposition processes, protective layer **18** will generally include significantly less hydrogen than comparable known diamond-like films. This compositional difference may be explained in part by the formation of sp³ bonds through subplantation of the energetic carbon ions during deposition. Effectively, the energetic ions deposited using the methods described hereinbelow impact on the growing film surface, and are driven into the film so as to cause densification. This process may also explain why the protective layer of the present invention includes a higher percentage of quaternary carbon sites (sp³ carbon sites with no hydrogen neighbors) and greater hardness than known alternative amorphous carbon materials.

The microstructure of conventional hydrogenated amorphous carbons includes polymer-like hydrocarbon chains. Although hydrogen enhances the formation of tetrahedrally bonded carbon atoms, above a certain threshold value of hydrogen content, carbon films become polymeric and hence lose their protective properties. Through subplantation, the materials of the present invention overcome this limitation. As subplantation promotes formation of sp³ bonds without relying on additional hydrogen content alone, polymerization can be avoided. This represents a substantial advantage over known, more highly hydrogenated diamond-like carbon materials, in which polymerization significantly limits both thermal and mechanical stability. In contrast, the carbon—carbon sp³ bonds of the materials of the present invention will generally be stable up to temperatures of about 700° C., so that an enhanced percentage of sp³ bonds with a low hydrogen content represents a significant advantage.

Optionally, the films of the present invention may also be nitrogenated. In contrast to known hydrogenated carbon, the

electrical conductivity of the present highly tetrahedral amorphous carbon can be controllably varied over a wide range by the selective incorporation of nitrogen during the C₂H₂ plasma beam deposition process described hereinbelow. Advantageously, this variation will be provided without significantly varying the structural properties of the film. With conventional hydrogenated carbon, nitrogen incorporation may be related to the formation of sp² bonds. This will be evident by variations in the mechanical and optical properties of the films deposited, for which harness and optical gap will decrease with nitrogen content. With the present film materials and deposition methods, a classic doping effect is observed, in which electrical conductivity can be controllably varied by as much as 5 orders of magnitude or more, as is shown in FIGS. 1A and B. Doping can be provided by varying nitrogen pressure within a plasma volume of an acetylene fed plasma beam source, typically to provide films having from about 4 to about 30 atomic percent nitrogen. This doping effect of highly tetrahedral amorphous carbon and hydrogenated carbon will find particular application for the fabrication of integrated circuits and the like.

The highly tetrahedral amorphous carbon materials of the present invention also provide a number of advantages over known protective layers for recording media. The bond structure of this material provides physical properties approaching those of diamond, including a hardness of over about 50 GPa, with certain species having hardness of up to about 80 GPa. Furthermore, the present protective overcoats have high density, generally being over about 2.5 grams per cubic centimeter, and are also very chemically inert.

Of particular importance to recording media, these coatings are smooth and continuous (pinhole-free) at very low thicknesses, and provide a durable protective layer when deposited to a thickness of less than 75 Å, preferably being less than 50 Å thick. In fact, films of over 150 Å may be more susceptible to delamination, and surface roughness may increase with thickness. The high mechanical hardness and low friction surfaces provided by these materials lead to enhanced tribological performance, providing recording media which are highly tolerant to the mechanical abrasion and contact start-stop demands of modern recording media systems, and allowing increased areal density through reduced separation between the read/write and the magnetic layer. This separation may be reduced by either a reduction in the protective layer thickness, or by a reduction in head glide height, and preferably by a reduction in both. Protective layer **18** is generally in the range between about 30 Å and 70 Å, which will allow the disk to meet recording media industry durability and stiction test requirements.

The composition and characterization of the protective film of the present invention are highly dependent on the deposition method, and in particular, depend strongly on the energy and uniformity of carbon ions striking the deposition surface.

An exemplary system and method for depositing protective layer **18** on rigid recording disk **2** will be described with reference to FIGS. 2 and 2A. Hybrid ion beam source **30** generally includes an inductive ionization system **32**, a quasi-static magnetic field system **34**, and a capacitive ion beam extraction system **36**.

In general terms, induction system **32** ionizes a plasma **38**. The energy transfer between induction system **32** and plasma **38** is greatly enhanced and homogenized by a transverse magnetic field generated by quasi-static field system **34**. The deposition ions of plasma **38** are actually

directed to recording disk **2** (or to any other substrate on which deposition is desired, or from which etching will be performed) using capacitive coupling system **36**.

Although hybrid source **30** provides a particularly advantageous system for deposition of the protective coating **18**, a variety of alternative deposition systems may also be used. As a plasma beam source deposition system shares a number of the features of hybrid source **30**, but is simpler in operation, diamond-like carbon deposition using a plasma beam source **50** will be described with reference to FIGS. **3A-F**, after which other aspects of hybrid source **30** will be explained in more detail.

Referring now to FIG. **3A**, the use of plasma beam source **50** for the deposition of carbon will generally be described with reference to depositing protective layer **18** on magnetic recording media **2**. As has been mentioned above, these carbon deposition systems and methods will have a wide variety of alternative uses, particularly in the areas of integrated circuits fabrication, optics, and machine tools.

Plasma beam source **50** includes a plasma container **52** which defines a plasma volume **54** therein. Container **52** is typically an 8 cm diameter glass tube, or may alternatively comprise quartz or the like. A coupling electrode **56** having a relatively large surface **58** here forms one end of the container. Alternatively, the coupling electrode may be disposed within or external to the container, and may optionally extend axially along the walls of the container. Regardless, coupling electrode **56** is generally electrically coupled to the plasma, to a matching network **60**, and to a radiofrequency coupling power supply **62**. Plasma coupling system **36** includes coupling electrode **56**, the frequency generator and matching network **60**, **62**, and an extraction grid **64**. Typically, the extraction grid will be grounded as shown.

As is explained more fully in U.S. Pat. No. 5,156,703, the full disclosure of which is herein incorporated by reference, extraction grid **64** has a much smaller surface area exposed to the plasma than the coupling electrode **56**. In operation, RF power, typically at about 13.56 MHz, is supplied by the frequency generator through the matching network and a capacitor to the coupling electrode. This frequency will often be set by government regulations, and may alternatively be about 27.12 MHz, or some other multiple thereof. The extraction grid typically comprises a graphite rim **66** defining an aperture, and tungsten filaments which are maintained under tension. Hence, extraction grid **64** resists any distortion due to thermal expansion. A number of alternative materials may be used in the filaments, the filament materials preferably having a low sputtering yield.

Generally, internal pressure within plasma volume **54** is reduced by removing gas through vacuum port **68**. While the vacuum port is here shown behind the grid, it will preferably be disposed between grid **64** and disk **2**. Advantageously, when a plasma is struck between the coupling electrode and the extraction grid, the plasma shifts to a positive DC potential with respect to the extraction grid, due to the relative mobility of the electrons as compared to the ions within the plasma. Specifically, the greater mobility of electrons than ions in the plasma causes the plasma to form a sheath between itself and each electrode. The sheaths act as diodes, so that the plasma acquires a positive DC bias with respect to each electrode.

The total radiofrequency potential V_0 will be divided between the sheaths adjacent the powered electrode and the grounded electrode, according to their respective capacitances. As the extraction electrode is grounded, the voltage of the plasma itself is given by the equation

$$V = V_0(C_e / (C_g + C_e))$$

wherein C_e is the capacitance of the coupling electrode, while C_g is the capacitance of the extraction grid.

Where the extraction electrode is grounded, this plasma voltage biases the plasma relative to the grid, accelerating the ions through the extraction grid and toward the substrate. As can be determined from the above equation, the plasma beam source allows the biasing voltage to be selectively controlled, providing a highly advantageous mechanism for controlling ion impact energy.

As capacitance varies inversely with area, the size of the bias voltage at each electrode can be controlled by varying the electrode areas. As the extraction grid has a much smaller area than the coupling electrode, the biasing of the plasma relative to the coupling electrode is relatively low, so that source **50** provides a fairly efficient use of the source gas material, which is generally provided through source inlet **70** adjacent coupling electrode **56**. While some material will be deposited on the container walls at higher power settings, use of the plasma beam source in an etching mode may allow self cleaning.

The relationship of electron current, ion current, and the radiofrequency potential is illustrated in FIG. **3B**. A simplified electrical diagram for analysis of the plasma, the extraction grid sheath, and the coupling grid sheath, is shown in FIG. **3C**.

A still further aspect of the plasma beam source carbon deposition system and method of the present invention is illustrated in FIG. **3D**. Plasma **74** is here contained within a hyperbolic magnetic field produced by magnets **78**. An axially movable coupling electrode **80** is supported by a movable ceramic pipe **82** which slides axially through a ceramic end **84** of the plasma container vessel.

The magnetic confinement of the plasma allows the effective area of coupling electrode **80** to be varied by moving the coupling electrode axially relative to the plasma. This allows the bias voltage (and hence the ion energy) to be varied without changing the radiofrequency power or the gas pressure. Alternatively, the ion saturation current density (deposition rate) and ion energy can be varied by changing the radiofrequency power and gas feed stock flow rate. The ion current and ion energy distribution can be measured with a Faraday cup **86** in the substrate plane **88**. FIG. **3E** shows variations of ion current and mean ion energy with electrode position **D** for a range of radiofrequency powers.

The ion energy depends on at least two factors: the acceleration potential across the grid sheath, and the energy lost by collisions within the sheath. The effects of these factors are illustrated in FIG. **3F**.

The inset to FIG. **3F** shows that the ion energy distribution of the plasma beam is quite sharp, with a width of approximately 5% about the bias voltage. The sharpness apparently arises for at least two reasons. First, ions lose little energy in the low plasma pressure through collisions within the sheath. Second, the sheath width varies inversely with the square root of pressure, so that the sheath is quite wide at low pressures. Where the ion transit time across the sheath is longer than the radiofrequency period, the ions may be accelerated by the mean voltage rather than the instantaneous voltage. The ion energy distribution width is also found to vary linearly with pressure, which indicates that the ion energy distribution width is controlled mainly by ion collisions in and above the sheath.

The decomposition or dissociation of hydrocarbons in plasma **74** depends strongly on the source gas, the operation pressure, and the gas flow rate. Usually, hydrocarbon plasmas exhibit a wide spectrum of hydrocarbon radicals in an

ionized and/or neutral state. The plasma composition depends on the various chemical pathways in the plasma, and these depend on the plasma parameters such as electron temperature, electron density, and degree of ionization. As a result, a number of different ions may be present in the plasma, and the composition may change markedly under different conditions, making uniform deposition of homogeneous hydrogenated carbon materials fairly problematic.

Work in connection with the present invention has shown that acetylene provides a highly advantageous source gas because of its relatively simple dissociation pattern. The plasma decomposition of a molecule can be described in terms of electron-molecule (primary) and ion-molecule (secondary) collisions, and their associated rate coefficients or their related appearance potentials. Advantageously, the dissociation of acetylene is dominated by its ionization at an appearance potential of 11.2 eV. Acetylene may be unique among the hydrocarbons in having such a well-defined reaction path.

The ionic composition of a plasma beam produced using an acetylene source gas produces a mass spectra at various plasma pressures which are dominated by the $C_2H_2^+$ ion and other hydrocarbon ions having two carbon atoms, collectively referred to as the C_2 species. The next most significant ions are the C_4 ions, which have been found to decrease in intensity as the pressure is lowered, being below 5% if the pressure is maintained below 5×10^{-5} mbar. For these reasons, carbon deposition using the plasma beam source and hybrid source of the present invention is preferably performed using a feed stock which comprises acetylene. Optionally, N_2 , NF_3 , or some other nitrogen feedstock may also be included to provide nitrogenated films.

The particle flux or stream provided by a plasma beam deposition system or a hybrid deposition system will generally have a higher degree of ionization than conventional deposition techniques. The formation of carbon-carbon sp^3 bonds through the subplantation effect may only be significant if sufficient ions are present in the particle stream. Preferably, at least 15% of the particles will comprise ions. In some embodiments, particularly at very low deposition pressures, the film-forming particle flux will comprise over 90% ions.

When depositing using a plasma beam source, the incident power provided to the coupling electrode will generally be between about 50 and 700 watts, ideally being between about 200 and 300 watts. Where opposite sides of a substrate will be simultaneously coated, two plasma beam sources may be provided, preferably having independent radiofrequency generators which are phase-matched, ideally being synchronized in a master/slave configuration. Radiofrequency reflected power will generally be between about 5 and 70 watts, and should be minimized by selection of proper network elements.

The magnetic containment field coil nearest the substrate may be provided with a current of between 1 and 8 amps, ideally being about 7 amps. The outer field coil will have between one-half and 5 amps of current flowing therethrough, wherein the current is the reverse polarity of the inner coil current. Gas flow rates of from 5 sccm to 30 sccm are sufficient to maintain the plasma, with the gas flow rate ideally being about 18 sccm. Igniting the plasma is facilitated by providing an initial burst of between 40 and 50 sccm of N_2 gas. A nitrogen gas flow may be maintained for nitrogenation of the film.

The plasma beam source is capable of depositing ions with an energy of between about 10 eV and 500 eV, while the optimal energy for deposition of carbon is generally

between about 80 and 120 eV per carbon atom. The hydrogen content may be between about 8 and 18 atomic percentage, while dopant gases of between 0.7 atomic percent and 10 atomic percent, typical dopant gases including N_2 , or PH_3 . Carbon deposition rates of between 2 and 12 Å per second can be provided by plasma beam source deposition methods within the above operating ranges, ideally being between about 8 and 9 Å per second to provide the highest quality films. Deposition times of between about 6 and 30 seconds are generally used at these rates to provide a sufficient protective coating for magnetic recording media. In work in connection with the present invention, M. Weiler et al. describes the preparation and properties of highly tetrahedral hydrogenated amorphous carbon deposited using a plasma beam source in the journal *Physical Review B*, vol. 53, pp. 1594-1608 (1996), the full disclosure of which is hereby incorporated by reference.

Although the plasma beam source deposition systems and methods described with reference to FIGS. 3A and 3D have several advantages, including the ability to accurately control the ion deposition energy and flux, these plasma beam sources do have some disadvantages. One primary disadvantage of plasma beam source deposition is that the capacitively coupled plasma density, and hence the deposition rate, is relatively low. In order to increase the ion density, it would be beneficial to provide higher pressures within the plasma confinement volume, preferably maintaining the plasma at a pressure of 30 mTorr or more. Unfortunately, the ionization coefficient tends to drop off at these higher pressures, thereby limiting the total plasma density. Specifically, it will generally be advantageous to maintain low deposition pressures for at least two reasons. First, the proportion of ions in the particle stream decreases with increasing pressures. Basically, at higher operating pressures, gas scattering will reduce and disperse the ion energy. In fact, deposition of highly tetrahedral amorphous carbon at pressures of over 30 mTorr when using the exemplary system is problematic, as films deposited at such pressures are formed primarily with low energy radicals. Second, as pressures increase, the particle flux increasingly includes varying particle masses (C_2 , C_4 , C_6 , C_8 . . .). As uniform mass particles are preferred, plasma beam deposition will preferably take place with pressures below 1 mTorr, ideally at a pressure of between about 0.1 and 0.5 MTorr. This, in turn, generally limits the deposition rates which may be achieved by plasma beam sources and methods which rely solely on capacitive coupling to maintain the plasma.

The hybrid beam source of the present invention maintains the advantageous ion energy control of the plasma beam source, but provides higher plasma densities and enhanced deposition rates without relying on increases in pressure. Referring once again to FIGS. 2 and 2A, hybrid source 30 combines an inductive ionization system 32 with a capacitive coupling system 36 (similar to that used in the plasma beam sources described above) to provide a high density and low pressure plasma. The inductive ionization system will again be explained in isolation, here with referenced to FIGS. 4A and B.

Inductive ionization system 32 comprises an alternating power source 90 capable of generating frequencies in roughly the radiofrequency-microwave range, preferably providing a potential with a frequency of about 27.12 MHz (or some multiple thereof). Once again, a frequency matching network 92 is provided, but the power is here coupled to the plasma using antenna 94 disposed around the plasma container 52. Advantageously, this minimizes any self-biasing of the plasma relative to the antenna, and minimizes deposition of source materials onto the walls of the container itself.

Plasma within an inductive discharge may be energized in a non-resonant or resonant inductive mode. Preferably, a small DC magnetic field is superimposed on the plasma volume to provide enhanced ion energy transfer and plasma densification through a process which is generally described as resonant ionization.

Antenna **94** may be described as a dielectric wall around the axis of the plasma container. Alternatively, antenna **94** may be modeled as a single loop inductive coil disposed about the plasma. Regardless, the potential of the plasma with respect to the container surface remains low, while the plasma density is quite high.

Typically, antenna **94** surrounds a cylindrical plasma container having a length between one third and three times its diameter, preferably being of nearly equal length and diameter. The antenna consists of a metal cylinder with a longitudinal slit. The superimposed static magnetic field **B** is generally normal to the axis of the plasma cylinder, and is applied by at least one magnetic coil **96** adjacent the plasma container. Resonant ionization potentials and magnetic field strengths are more fully described by Professor Oechsner in *Plasma Physics*, vol. 15, pp. 835–844 (1974), the full disclosure of which is incorporated herein by reference.

The mechanism which will provide plasma densification will apparently be Electron Cyclotron Wave Resonance (ECWR), rather than the related but different phenomenon of Electron Cyclotron Resonance (ECR). Both of these mechanisms can be understood with reference to the dispersion of an electromagnetic wave propagating parallel to a magnetic field, and more specifically, by analyzing the refraction index and the propagating velocity (here being phase velocity V_p) as a function of frequency and magnetic field strength. We know that the refraction index and propagation velocity are related as follows:

$$\frac{\omega^2}{c^2 k^2} = \frac{v_p^2}{c^2} = \frac{1}{n^2}$$

where n is the refractive index, c is the speed of light, ω is the frequency of the electromagnetic wave, and k is the magnitude of the propagation vector for the electromagnetic wave. An ordinary wave can be explained as a superposition of right- and left-handed circularly polarized electromagnetic waves. In the case of a plasma, we should also consider the different charges and masses of the electrons and ions. From the right- and left-hand polarized wave equations, we find a resonance effect is provided when ω is equal to the cyclotron frequency ω_c . Under these conditions, the refraction index goes to infinity, so that the propagation velocity is zero. This condition is referred to as ECR. Unfortunately, the wavelengths associated with ECR are generally larger than the desired sizes of our plasma containers, so that practical application of ECR for plasma densification would be difficult.

Fortunately, ECWR provides an alternative densification mechanism when ω is less than ω_c . Neglecting the motion of ions due to their much higher mass, the dispersion relation for the right-hand polarized wave is approximated by:

$$n_{\pm}^2 = \frac{c^2 k^2}{\omega^2} = 1 - \frac{\omega_p^2}{\omega(\omega \pm \omega_c)}$$

ω_p is the plasma frequency. Generally, wave propagation is possible when the phase velocity (and therefore the refractive index) is positive. Schematic plots of the refractive index of a cold plasma and the phase velocity of a cold

plasma (both as a function of frequency) are given in FIGS. **4C** and **4D**. Examination of these plots reveals that both are positive below ω_c . In fact, the refractive index for a driving potential having a frequency of 13.56 MHz will reach values above 100. This means that wavelengths within the plasma may be reduced by $1/100$ or more. If the wavelength can be reduced to the dimensions of the plasma container, it is possible to create standing waves in the plasma which provide a resonant effect. This ECWR will depend on the magnetic field strength as well as the plasma container dimensions. If our plasma container has a diameter a , this resonant effect can generally be achieved if:

$$kr = \frac{2\pi}{\lambda} = \frac{\pi}{a}(2\mu + 1)$$

$\mu=1, 2, 3, \dots$, λ is the wavelength, and k_r being the resonant magnetic field. The resonance can be tuned by varying the refractive index of the plasma. For ECWR, we will want to take into account that the refractive index for the right-hand polarized wave will depend on both the magnetic field and the plasma frequency. The variation of n_r with the plasma frequency complicates this tuning somewhat, because the plasma frequency itself depends on the plasma density, which will, in turn, change with the degree of excitation of the plasma.

It is possibly to combine the densifying effects of inductive ionization on low pressure plasmas with the capacitive coupling ion beam extraction of the plasma beam source to greatly enhance deposition rates. Unfortunately, inductive ionization does not generally produce a uniform plasma density. Hence, such a hybrid deposition system, without further modification, produces a non-uniform ion stream and deposition process. For these reasons, the present invention further provides a quasi-static resonant ionization magnetic field, as will be explained with reference to FIGS. **2** and **2A**.

Referring once again to FIG. **2A**, hybrid source **30** makes use of a plasma which is capacitively coupled so as to provide a stream of plasma ions through extraction grid **64**. To promote effective capacitive coupling, the plasma is maintained at a relatively low pressure, preferably below 1 mTorr. To enhance the density of the plasma, an inductive power transfer is locally achieved using antenna **94** of inductive coupling system **32**. The DC plasma potentially from capacitive coupling, and hence the ion acceleration energy, is typically about 20 to 40 volts at all surfaces. Advantageously, ion energy can be selectively controlled by varying the DC bias of the extraction grid, as described above. A similar combination of inductive and capacitive coupling was described for sputter treatment of dielectric samples by Dieter Martin in a 1995 dissertation for Universitat Kaiserslautern, Fachbereich Physik, Germany. That reference more fully explains the independent variation of ion energy and ion current density, similar to that applied in the hybrid deposition system of the present invention.

Ion/radical fluxes from hybrid source **30** may be enhanced using the inductive coupling system **32**. To homogenize the ion stream produced by hybrid source **30**, a slow moving resonant ionization magnetic field is applied by quasi-static magnetic field generation system **34**.

The preferred quasi-static magnetic field generation system makes use of a plurality of coils **96** disposed radially about the plasma containment volume. Field rotator **100** selectively energizes coils **96** in opposed pairs, to apply a fairly uniform magnetic field throughout the plasma. The opposed coils are energized in the same direction, but only briefly, after which an alternate pair of transverse magnetic

coils are energized to apply a magnetic field B_2 . Thereafter, the original coils may be reenergized, but with the opposite polarity so that magnetic field B_3 , and then field B_4 are produced.

Field rotator **100** produces a magnetic field which effectively rotates through the plasma containment volume with a rotational frequency which is much less than the driving frequency of inductive coupling system **32**, generally being less than 10,000 Hz, and often being less than 100 Hz. Thus, the rotating magnetic field provides resonant enhancement of the inductive coupling of a truly static resonant field. However, the rotation of the magnetic field densifies a much broader region of the plasma, and thereby provides a much more homogeneous ion stream. Moreover, the moving magnetic field may also further density the plasma by a churning effect, increasing the collisions between the energetic plasma particles to provide still further increases in deposition rate and energy transfer efficiency.

A typical hybrid source will have a container volume with an internal radius of about 5 cm, and a length between the coupling electrode and the extraction grid of about $8\frac{1}{2}$ cm. Such a hybrid source will require an ionizing energy of between about 100 and 1000 watts, when driven at a frequency of about 13.56 MHz (or some multiple thereof). Clearly, a wide variety of alternative container geometries and sizes may be provided, within the scope of the present invention.

When using hybrid source **30** for deposition or etching, the plasma container and deposition vessel surrounding the substrate are evacuated, preferably at a relatively high speed of about 2,000 liters per second. The ambient pressure during deposition will preferably be kept at about 5×10^{-4} mbar. Once again, a short burst of N_2 gas is superimposed on a steady flow of the source gas to facilitate striking of the plasma, and a gas comprising nitrogen may be continuously supplied where nitrogenation is desired. A burst on the order of a few milliseconds will suffice, or, alternatively, a high voltage pulse striker circuit may be used with similar results. Ion current densities are substantially higher than the 0.1 to 0.7 mA/cm² provided by plasma beam sources, and may provide carbon deposition rates of between about 20 to 100 Å per second.

Although hybrid source **30** is a preferred embodiment, a wide variety of alternative systems may also be used. For example, the moving magnetic field may be provided by mechanically rotating one or more coils about the plasma containment volume.

A still further alternative deposition system will be described with reference to FIG. 5. As illustrated, magnetic disk **2** is simultaneously coated on both sides by a pair of filtered cathodic arc sources **100**. Each cathodic arc source includes a high density carbon target **102** which is used as a cathode. Here, a plasma is maintained by an electrical potential of the cathode relative to a graphite extractor anode **104** once the chamber has been evacuated through evacuation port **106**.

Generally, cathodic arc deposition relies on a low voltage discharge at pressures of less than 10^{-5} mbar. Vaporized electrode material in the form of highly ionized intraelectrode plasma provides current transport between the cathode and anode. Typically, the solid cathode is consumed through microscopic localized regions of very high current density and temperature, the cathode typically being an electrically conductive deposition material such as a metal, carbon, or highly doped semiconductor. Advantageously, the kinetic energy of ions can be electrostatically varied by biasing the substrate relative to the cathode. Energetic bombardment of

the film using cathodic arc source **100** can produce dense and continuous films through subplantation, as described above. High deposition rates of between 30 and 100 Å per second, together with high throwing power (the ability to coat uniformly in three dimensions) are also provided by the intense ion flux.

To initiate the arc, piezo system **108** passes through the wall of the deposition chamber using a linear and rotary feedthrough **110** so as to initially energize a graphite striker **112**. Water cooling **114** helps confine the discharged energy to the deposition system.

Unfortunately, cathodic arc systems suffer from the expulsion of macroparticles (together with the plasma) from the surface of the cathode. The inclusion of these macroparticles can seriously limit the quality of films grown on substrates placed in front of the cathode. Therefore, source **100** blocks the direct path between the cathode and the magnetic recording media or other substrate to be coded using a curvilinear duct **116**. Magnetic field coils **118** direct the desired particles through curvilinear duct **116**, effectively filtering out the majority of the macroparticles. The use of baffles **120**, and an irregular duct surface formed by bellows **122**, helps to prevent the macroparticles from bouncing along the curvilinear duct, thereby providing a more effective filter. The duct will typically be about 7.3 inches in diameter, while the curve may have a centerline radius of about ten inches.

The filtered ion stream may be optionally accelerated towards the substrate using an acceleration grid **124**. Alternatively, the substrate itself may be biased. To provide a more uniform deposition process, the filtered ion stream may also be scanned over the substrate surface using a raster magnetic field supplied by raster coils **126**. Optionally, the ion stream may be monitored through viewport **128**. Steering magnetic fields may also be provided at the cathode by steering coils **129**.

It would be advantageous to minimize the macroparticles ejected from the cathode, rather than relying entirely on filtering. Toward that end, the present invention provides cathodes which are adapted to distribute an arc over a diffuse cathodic surface area, rather than forming a number of discrete arc spots or jets. To provide such a distributed cathodic arc over an active region **130** of cathodic source **102**, the power per unit area is generally raised to a sufficient level for the active region to reach a critical temperature.

Cathodic arc deposition of graphite is particularly problematic, as graphite in general is difficult to evaporate or sublime by electrical heating, largely because of its anomalous negative temperature coefficient of electrical resistivity (up to about 1,200° K). Graphite is generally porous in nature, leading to large quantities of macroparticles being ejected during arcing. While the curvilinear duct filter described above has proven effective at limiting the amount of macroparticles reaching the substrate, this structure also produces a magnetic pinching of the plasma stream, which reduces the area of deposition and tends to produce inhomogeneity in the thickness of the deposited films. Additionally, over a long period of time, the contamination of the filter duct walls can be disadvantageous, as charged carbon dust from the wall may become entrapped in the plasma stream and contaminate the film.

To reduce macroparticle content from a graphite target, the temperature of the cathode at or near the surface is increased to a temperature above the minimum point in the resistivity versus temperature curve for various types of graphite. Ideally, the temperature will be raised substantially beyond this minimum resistivity temperature to enhance

ohmic heating and thus evaporate the graphite more effectively. To provide a more stable process, it is generally advantageous to make use of a direct current cathodic arc, in which the arc itself can have a overall lifetime of minutes, unlike spot or transient arcs which can appear and dissipate across the surface of the cathode within a time span on the order of a few nanoseconds. The goal here is to enhance the effect of local heat accumulation at the surface of the cathode, and to promote this heat trapping process on a time scale which is significantly longer than that of known arc deposition systems. Work in connection with the present invention has shown that continuous DC arcs may be produced with durations of over 1 minute and preferably of over 3 minutes.

Energy conservation at the cathode implies that the energy input and energy output are equal. Energy is generally supplied to the cathode surface through ohmic heating, ion bombardment, and Nottingham heating. Energy will be lost during the process through electron emission cooling, evaporation cooling, and heat transfer by conduction, radiation, and convection.

The carbon cathode itself may optionally be prepared by compressing high purity graphite powder at a hydrostatic pressure of between about 130 and 150 MPa. The density of such a cathode will typically be between about 1.5 and 1.7 g/cm³. To enhance the heat trapping at the cathode surface, the cathode can be thermally insulated with thermal insulation 132.

When the arc is first struck, the cathodic discharge evolves as a visible microscopic dot with a plasma ball, similar in appearance to known cathode vacuum arcs. At the initial stage of arc triggering, the arc voltage is about 20 volts, which is typical of spot arcs for the same arc current. Sometime after ignition, however, the single cathodic spot will evolve into a diffuse active area, preferably being at least 2 cm². Ideally, the surface temperature within that area reaches a value nearing the sublimation temperature of graphite, often being over 2,000° C. The steady state distributed arc mode may be characterized by a mean arc voltage value that fluctuates over about 25 volts, ideally being between about 30 and 33 volts. The imposition of a steering magnetic field may decrease the transition time from the spot mode to the distributed arc mode.

A reduction in macroparticle content may be visible observed as a reduction of the number of incandescent particles within the plasma as compared to the standard spot arc. A diffuse plasma cloud is formed over the cathode surface, and the wide amplitude fluctuations characteristic of the spot arc are reduced. Additionally, the audible rattling noise often provided by filter cathodic arcs is replaced by a notably quieter erosion process. Erosions of 2 mg/s have been measured over a series of runs accumulating a total of 5 minutes of arcing.

Rise in the cathodic temperature may conveniently be produced by the reverse ion bombardment and Joule heating of cathode 102. Thermal insulation 132 may also prevent dissipation of the heat energy to cooling water system 114. Thermal insulation may be disposed over a selected portion of cathode 102 so as to selectively control the size and position of active region 130.

The distributed cathodic arc of the present invention produces a significantly lower total current density and a higher spatial uniformity in ion current density. Such a distributed arc may make use of a higher arc voltage than in the more conventional cold cathodic arc sources, as well as a reduced amplitude in arc current oscillations, which will help to decrease the macroparticle content of the associated

plasma. Reduction of macroparticles will reduce cleaning and maintenance of a filter duct, and may even allow unfiltered deposition. Unfiltered carbon distributed arc films may be produced having densities of over 3 g/cm³ with a mean ion energy of 18 eV, at over 50 Å/s, by a particle flux with an ionization of over about 60%.

EXPERIMENTAL

Films were deposited on aluminum substrates over a magnetic layer using opposed plasma beam sources and acetylene plasmas. The deposition conditions are summarized in Table 1. These conditions gave a highly ionized plasma and an ion beam energy of about 120 eV/C ion within a well-defined energy window.

TABLE I

Item	A-side	B-side	Condition
rf-input power	250 W	250 W	Phase-matched
rf-reflected power	5 ± 1 W	7 ± 1 W	Stable during deposition
Inner Coil Current	7.0 Å	7.0 Å	
Outer Coil Current	-0.5 Å	-0.5 Å	Reverse Polarity
Gas-flow rate	18 sccm	18 sccm	Plasma ignited at 43 sccm with a burst of N ₂ gas
Dep-Rate	8-9 Å/s	8-9 Å/s	Deposition time varied from 10-30 s

The acetylene gas flow rate was pre-set (by an electronic controller) to promote diamond-like bonding in the ta-C:H carbon films, rather than optimizing the deposition rate. Gas flow rates are in standard cubic centimeters per second (sccm). The matching-network circuit passive elements were pre-tuned so as to minimize the ratio of P_{ref}/P_{in} (power reflected over power input) at the above-mentioned acetylene flow rate.

The rate phase state was triggered using a short burst of N₂ gas (lasting less than 0.1 s) superimposed on the steady flow of C₂H₂. The pressure of the chamber during deposition was in the region of 5*10⁻⁴ mbar. Textured and untextured smooth disks were coated, and the carbon coatings were characterized using ellipsometry, electron energy loss spectroscopy (EELS) and Raman finger-printing. The textured disks were lubed using conventional lube processes, and underwent abrasive tape tests as well as accelerated start-stop tests.

Table II summarizes the variation of physical properties of the films as a function of thickness. The average ion energy per carbon ion was uniformly maintained at about 100 eV. The spatial homogeneity of the films is gauged in both the radial as well as angular positions. Generally, G-peak and D-peak are V-peak positions in Raman spectroscopy, while the associated Δ values describe peak widths. Selket voltage is the output voltage of a light sensor for abrasive wear test equipment manufactured by Selket Co. The higher the output voltage, the more serious the wear.

TABLE II

Item	thickness (Å) ± 10	Selket Voltage (mV)	G-peak ± 5 cm ⁻¹	G-peak__ ± 5 cm ⁻¹	RMS* R _a (Angs)	Raman I _d /I _g	Plasmon Peak (eV)
Cell 1	40	3	1494	150	3	0.24	31.4
Cell 2	50	2	1498	152	4	0.48	30.0
Cell 3	70	5	1508	138	6	0.5	29.5
Cell 4	80	7	1507	137	6	0.6	29.8
Cell 5	100	6	1509	130	9	0.7	29.7
Cell 6	200	7	1509	130	8	1.0	25.5

One noteworthy observation from the Raman spectra is the increase in both the position of the G-peak as well as the I_d/I_g ratio (the area ratio of the D and G peaks) with increasing film thickness. This shows that the percentage of C—C sp³ content in the bulk of the films increases with decreasing thickness. D-peak bandwidth also increases with decreasing film thickness within the range monitored. The bandwidth of the D-peak in the optimized films is above 150 cm⁻¹, indicating very low levels (or absence) of graphitic phase clustering within the diamond-like carbon amorphous matrix. This result is consistent with the relatively high Plasmon-peak measured from the electron-energy-loss-spectroscopy (EELS). Plasmon peak is the energy of a type of excitation called a plasmon. It is a quantum of charged particle cloud vibration. The energy value is directly related to the charged particle (e.g., electron) density.

The Plasmon-peak E_p is representative of the density of the films. Thus, taking the E_p of diamond to be 34 eV, it is estimated that the most-diamond-like ta-C:H films have above 80% C—C sp³ bonding (this is independent of whether there is long range order or not).

Disks were coated with ta-C:H films under a wide variety of rf-power and gas-feedstock flow rates. These films were then tested for friction build-up and wear durability using a conventional accelerated contact start/stop (CSS) test. Prior to testing, the disks were lubed and lube thickness was found to vary between 16–23 Å, corresponding to a carbon film thickness range of 30 Å to 150 Å. Each test consisted of 500 cycles, and the disks were tested on both sides at 300 rpm. The averaged coefficients of friction (μ_s) are plotted against thickness of the films in Table III. The variation of μ_s is found to be between 0.5 to 1.5, corresponding to a thickness range from 40 Å to 150 Å. Of the 16 disks that underwent the accelerated CSS test, all but one passed.

TABLE III

rf power (Watts)	Gas flow-rate (scm)	Deposition time(s)	Coefficient of static friction μ _s
500	20	10	1.6
100	12	30	1.8
500	20	6	1.5
100	20	6	1.6
300	16	6	1.4
500	20	6	1.5
500	20	30	2.0
500	20	12	1.5
500	20	6	1.9
100	12	6	1.7
100	12	6	1.6
100	12	30	1.6
100	16	18	1.5
300	16	6	1.3

Disks were also coated with highly tetrahedral amorphous carbon using a filtered cathodic arc. Initially, two disks were coated with a static ion stream, producing coatings which

varied considerably from the center to the edge. Estimating coating thicknesses using interference colors, and assuming an index of refraction of 2.5, coating thicknesses varied at least between 1,250 Å and 500 Å.

Raw data from Selket abrader tests are provided in FIGS. 6A and B. Over the two 120 second tests, no debris was seen on the tape. Only a very faint wear track was found after tests were complete.

Peak friction of the disks was also measured as a function of the number of start/stop cycles. The results of these tests are provided in FIG. 7.

The Raman spectra of the filtered cathodic arc disks were also measured, and the results are provided in FIG. 8. Generally, these results indicate that a film can be deposited using a cathodic arc source which includes a G-peak in the area of about 1518, and having a G width of approximately 175. The pseudo band gap of this film appears to be roughly 1.68 eV, while the refractive index is approximately 2.5. The complex portion of the optical index of refraction, K, appears to be approximately 0.08 for the film.

An additional disk was coated, this time on both sides, using a filtered cathodic arc source. The ion stream was swept over the surface of the substrate by manipulating permanent magnets placed on either side of the chamber. No bias was applied to the scanned substrate. Although the scanning mechanism here was quite simple, a more uniform deposition layer was provided.

Although the foregoing invention has been described in some detail, by way of illustration and example, for purposes of clarity of understanding, it will be obvious that certain changes and modifications may be practiced within the scope of the appended claims.

What is claimed is:

1. Magnetic recording media comprising:

a substrate;

a magnetic layer disposed over the substrate; and

a protective layer disposed over the magnetic layer, the protective layer comprising a highly tetrahedral amorphous carbon having a thickness of less than 80 Å.

2. A recording media as in claim 1, wherein the highly tetrahedral amorphous carbon of the protective layer includes more than about 35% sp³ carbon—carbon bonds.

3. A recording media as in claim 1, wherein the highly tetrahedral amorphous carbon of the protective layer includes more than about 70% sp³ carbon—carbon bonds.

4. A recording media as in claim 1, wherein the sp³ carbon—carbon bonds are at least in part formed by directing an energized stream of carbon ions toward the substrate.

5. A recording media as in claim 1, wherein the density of the protective layer is more than 2.5 g/cm³.

6. A recording media as in claim 1, wherein the highly tetrahedral amorphous carbon of the protective layer does not include macroparticles.

21

7. A recording media as in claim 1, wherein the protective layer has a hardness of over about 50 GPa.

8. A recording media as in claim 1, wherein the protective layer has a thickness of less than about 50 Å.

9. A recording media as in claim 1, wherein the highly tetrahedral amorphous carbon of the protective layer further comprises hydrogen. 5

10. A recording media as in claim 9, wherein the protective layer comprises between about 8 and 18 atomic percent hydrogen. 10

11. A recording media as in claim 1, wherein the highly tetrahedral amorphous carbon of the protective layer further comprises nitrogen.

12. A recording media as in claim 11, wherein the protective layer comprises between about 4 and 30 atomic percent nitrogen. 15

22

13. Magnetic recording media comprising:

a substrate;

a magnetic layer disposed over the substrate; and

a protective layer disposed over the magnetic layer, the protective layer comprising a highly tetrahedral amorphous carbon having a thickness of less than 80 Å and a density of more than 2.5 g/cm³.

14. Magnetic recording media comprising:

a substrate;

a magnetic layer disposed over the substrate; and

a protective layer disposed over the magnetic layer, the protective layer comprising a highly tetrahedral amorphous carbon having a percentage of sp³ carbon—carbon bonds which increases as the protective layer thickness decreases.

* * * * *

UNITED STATES PATENT AND TRADEMARK OFFICE
CERTIFICATE OF CORRECTION

PATENT NO. : 6,805,891 B2
DATED : October 19, 2004
INVENTOR(S) : Veerasamy Vijayen et al.

Page 1 of 1

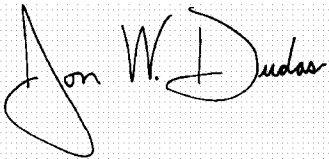
It is certified that error appears in the above-identified patent and that said Letters Patent is hereby corrected as shown below:

Title page,

Item [73], Assignee, kindly change "Mobile" with -- Module --

Signed and Sealed this

First Day of March, 2005

A handwritten signature in black ink on a light gray dotted background. The signature reads "Jon W. Dudas" in a cursive style.

JON W. DUDAS

Director of the United States Patent and Trademark Office